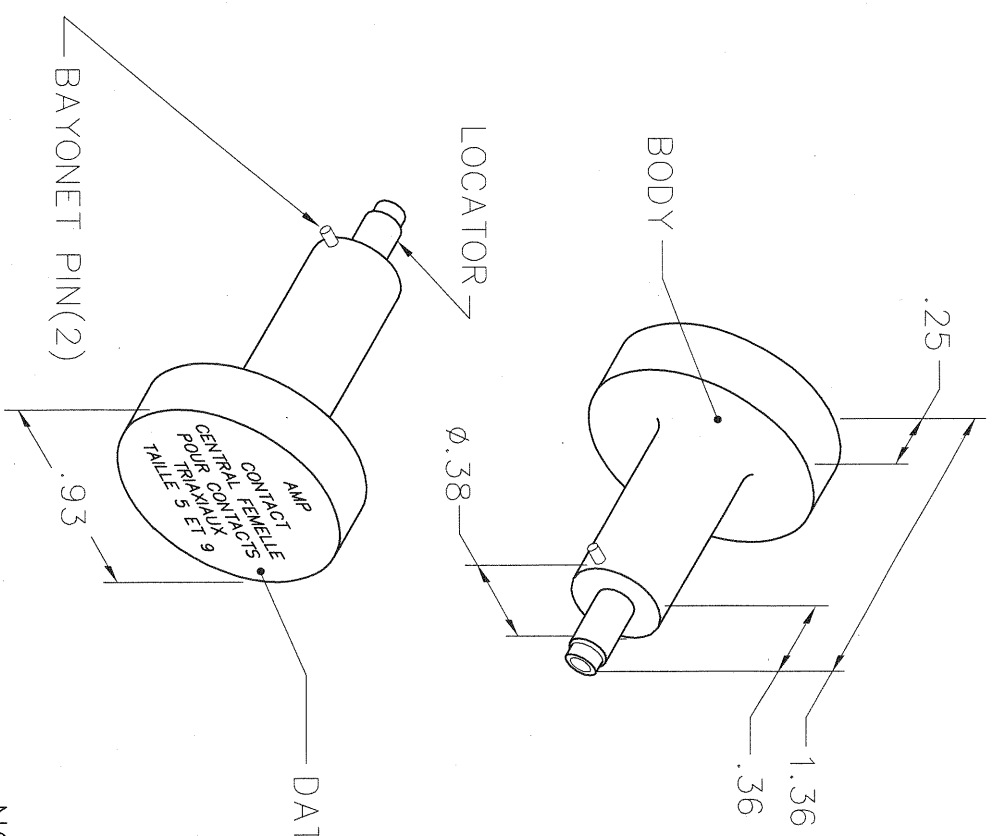


REVISIONS				
REV. SYM.	E.C.O. NUMBER	DESCRIPTION	BY DATE	APP'D DATE
1		ORIGINAL RELEASE	AAM 6-10-99	RRR 6-10-99

**UNCONTROLLED DOCUMENT
WILL NOT BE UPDATED**

DIMENSIONS IN INCHES - UNLESS OTHERWISE SPECIFIED



NOTE: FOR USE WITH DANIELS CRIMP TOOLS
ACCOMMODATING "K" SERIES POSITIONNERS

LOCATOR	
HOLE DIMENSIONS	ADDITIONAL FEATURES
∅.052 ▽.687	

RESTRICTED & CONFIDENTIAL

CONFIDENTIAL PROPERTY OF DANIELS MANUFACTURING CORP. NOT TO BE DISCLOSED TO OTHERS, REPRODUCED OR USED FOR ANY OTHER PURPOSE, EXCEPT AS AUTHORIZED IN WRITING BY DANIELS MANUFACTURING. MUST BE RETURNED TO DANIELS MANUFACTURING CORP. ON COMPLETION OF ORDER OR OTHER PURPOSE FOR WHICH INT.

DO NOT SCALE DRAWING

DRN. A. MOO-YOUNG	DATE 6-10-99
CHK'D. RRR	DATE 6-10-99
APP'D.	DATE
APP'D.	DATE

NOTE: THIS DRAWING IS AN OUTLINE DRAWING OF THE RESPECTIVE DMC PART NUMBER INDICATED. ACTUAL DMC PART NUMBER IS DRAWING NUMBER WITHOUT THE "-ENV" SUFFIX.

TITLE	WHERE USED:	CAD P/N	SHEET	OF
AMP CONTACT CENTRAL FEMELLE POUR CONTACTS TRIAXIAUX TAILLE 5 ET 9	AM8	K770-ENV	1	1
ENVELOPE DRAWING POSITIONNER		DWG. NO. K770-ENV		REV. 1

Daniel's Manufacturing Corp.
ORLANDO, FLORIDA
CASE 11851