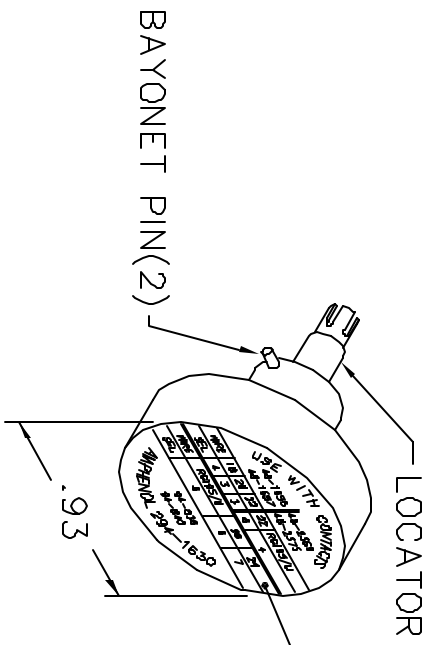
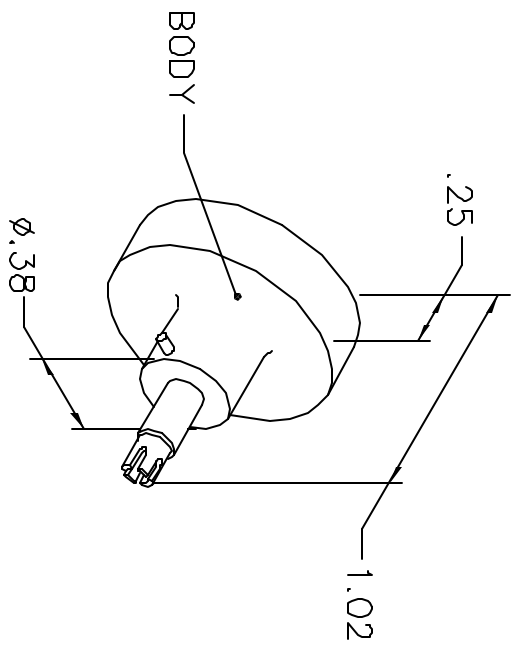


REVISIONS				
REV. SYM.	E.C.D. NUMBER	DESCRIPTION	BY DATE	APP'D DATE
1		ORIGINAL RELEASE	RRR 8-11-98	RRR 8-11-98

**UNCONTROLLED DOCUMENT
WILL NOT BE UPDATED**



USE WITH CONTACTS						
WIRE	18	20	22	22	RG195/U	
SEL.	4	3	3	6	4	
WIRE	RG195/U		26	24		
SEL.		5	6	7		

94-835
94-840
AMPHENOL 29A-1630

NOTE: FOR USE WITH DANIELS CRIMP TOOLS
ACCOMMODATING "K" SERIES POSITIONERS

LOCATOR	
HOLE DIMENSIONS	ADDITIONAL FEATURES
∅.086	
∇.67 MIN.	

RESTRICTED & CONFIDENTIAL

CONFIDENTIAL PROPERTY OF DANIELS MANUFACTURING CORP. NOT TO BE DISCLOSED TO OTHERS, REPRODUCED OR USED FOR ANY OTHER PURPOSE, EXCEPT AS AUTHORIZED IN WRITING BY DANIELS MANUFACTURING. MUST BE RETURNED TO DANIELS MANUFACTURING CORP. ON COMPLETION OF ORDER OR OTHER PURPOSE FOR WHICH LENT.

DO NOT SCALE DRAWING

DRN. A. MOO-YOUNG	DATE 8-11-98
CHK'D. RRR	DATE 8-11-98
APP'D.	DATE
APP'D.	DATE

NOTE: THIS DRAWING IS AN OUTLINE DRAWING OF THE RESPECTIVE DMC PART NUMBER INDICATED. ACTUAL DMC PART NUMBER IS DRAWING NUMBER WITHOUT THE "-ENV" SUFFIX.



DANIELS MANUFACTURING CORP.
ORLANDO, FLORIDA
CAGE 11851

TITLE
ENVELOPE DRAWING
POSITIONER

WHERE USED: AFMB	CAD P/N	SHEET	OF
SIZE A	K75S-ENV	1	1
SCALE NTS	DWG. NO.		REV.
POSTING	K75S-ENV		1