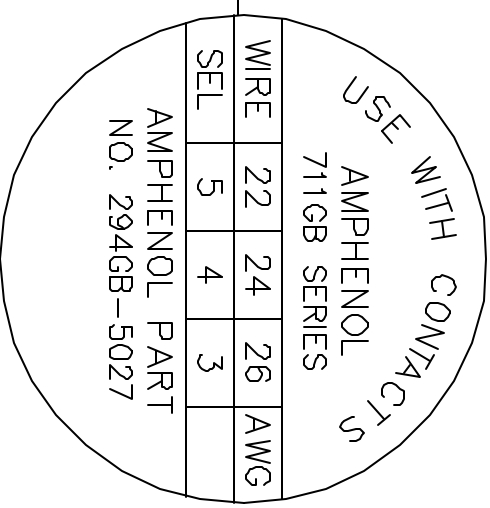
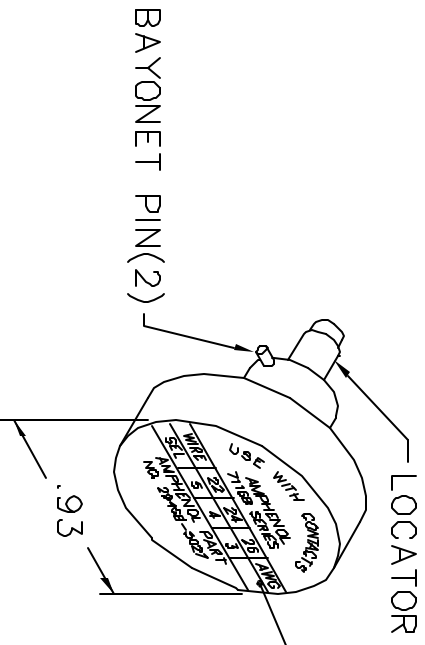
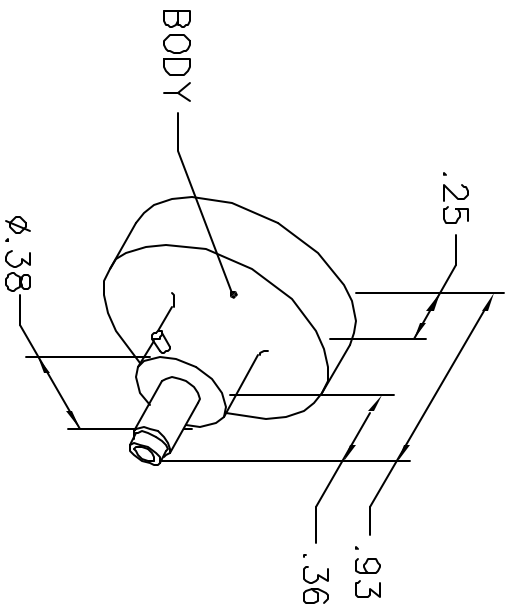


REVISIONS				
REV. SYM.	E.C.O. NUMBER	DESCRIPTION	BY DATE	APP'D DATE
1		ORIGINAL RELEASE	JS 10-10-91	PD 10-10-91

**UNCONTROLLED DOCUMENT
WILL NOT BE UPDATED**



NOTE: FOR USE WITH DANIELS CRIMP TOOLS ACCOMMODATING "K" SERIES POSITIONERS

LOCATOR	
HOLE DIMENSIONS	ADDITIONAL FEATURES
∅.027 ∇.310	<input type="checkbox"/> ∅.044 <input type="checkbox"/> ∇.276 <input type="checkbox"/> ∅.052 <input type="checkbox"/> ∇.047

RESTRICTED & CONFIDENTIAL

CONFIDENTIAL PROPERTY OF DANIELS MANUFACTURING CORP. NOT TO BE DISCLOSED TO OTHERS, REPRODUCED OR USED FOR ANY OTHER PURPOSE, EXCEPT AS AUTHORIZED IN WRITING BY DANIELS MANUFACTURING. MUST BE RETURNED TO DANIELS MANUFACTURING CORP. ON COMPLETION OF ORDER OR OTHER PURPOSE FOR WHICH LENT.

DO NOT SCALE DRAWING

DRN.	JS	DATE	10-10-91
CHK'D.	PD	DATE	10-10-91
APP'D.		DATE	
APP'D.		DATE	

DANIELS MANUFACTURING CORP.
ORLANDO, FLORIDA
CAGE 11851

ENVELOPE DRAWING POSITIONER

WHERE USED: AFMB	GAD P/N	SHEET	OF
SIZE SCALE	K757-ENV	1	1
POSTING	P/N	REV.	
	K757-ENV	1	