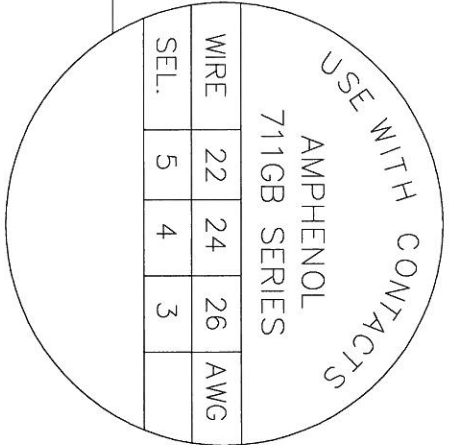
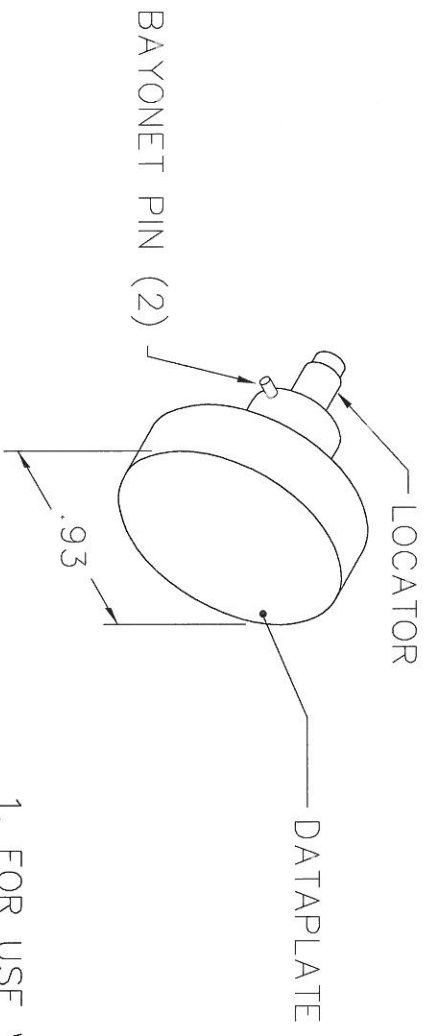
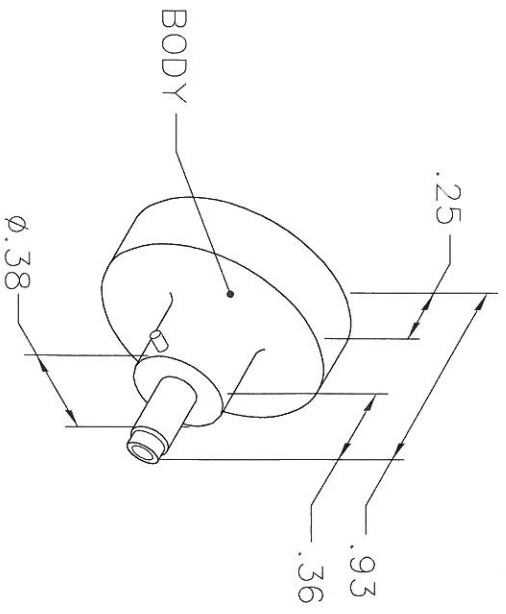


REVISIONS				
REV. SYM.	E.C.O. NUMBER	DESCRIPTION	BY DATE	APP'D DATE
1		ORIGINAL RELEASE	JWJ 2/16/04	RRR 2/16/04

**UNCONTROLLED DOCUMENT
WILL NOT BE UPDATED**



- FOR USE WITH DANIELS CRIMP TOOLS ACCOMMODATING "K" SERIES POSITIONERS

NOTES:

RESTRICTED & CONFIDENTIAL

CONFIDENTIAL PROPERTY OF DANIELS MANUFACTURING CORP. NOT TO BE DISCLOSED TO OTHERS, REPRODUCED OR USED FOR ANY OTHER PURPOSE, EXCEPT AS AUTHORIZED IN WRITING BY DANIELS MANUFACTURING. MUST BE RETURNED TO DANIELS MANUFACTURING CORP. ON COMPLETION OF ORDER OR OTHER PURPOSE FOR WHICH LENT.

DO NOT SCALE DRAWING

LOCATOR	
HOLE DIMENSIONS	ADDITIONAL FEATURES
∅.026 ∇.370	<input type="checkbox"/> ∅.043 <input type="checkbox"/> ∇.303 <input type="checkbox"/> ∅.052 <input type="checkbox"/> ∇.047

DRN. J. JOYCE	DATE 2/16/04	 DANIELS MANUFACTURING CORP. ORLANDO, FLORIDA CAGE 11851	TITLE		POSITIONER ENVELOPE DRAWING
CHK'D. RRR	DATE 2/16/04		WHERE USED:		
APP'D.	DATE	SIZE A	SCALE NTS	CAD P/N K757-2MR-ENV	SHEET 1 OF 1
APP'D.	DATE	POSTING		DWG. NO. K757-2MR-ENV	REV. 1