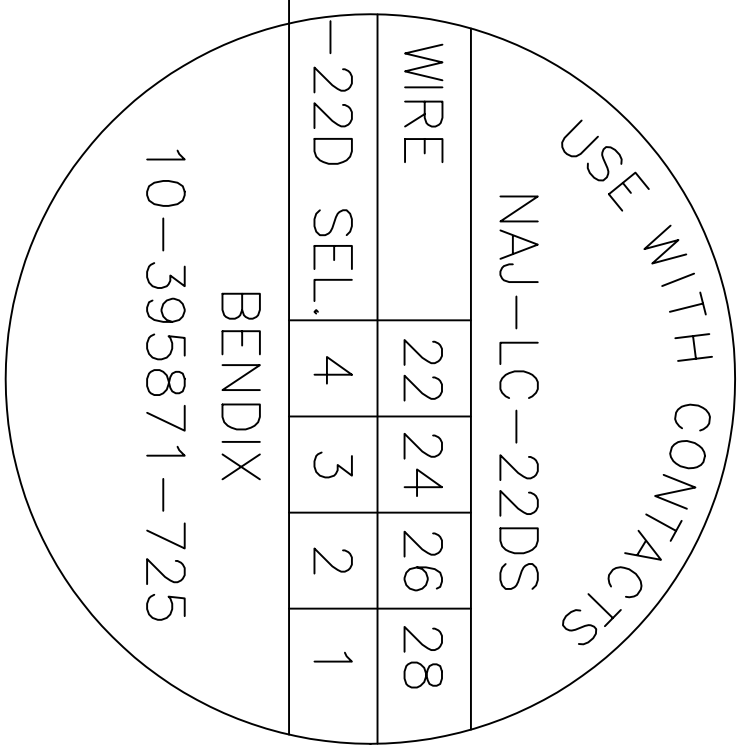
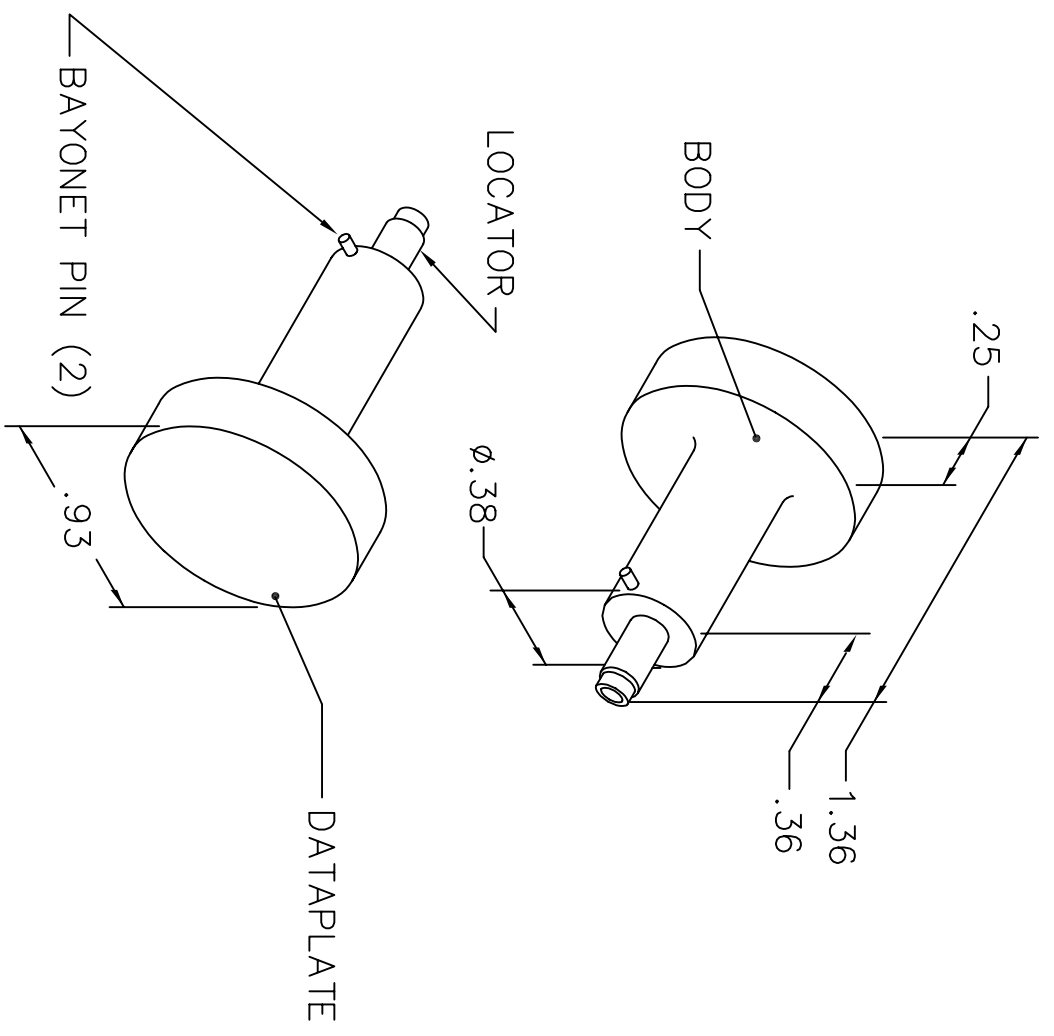


REVISIONS				
REV. SYM.	E.C.O. NUMBER	DESCRIPTION	BY DATE	APP'D DATE
1		ORIGINAL RELEASE	JWJ 7/31/03	RRR 7/31/03

**UNCONTROLLED DOCUMENT
WILL NOT BE UPDATED**



NOTE: FOR USE WITH DANIELS CRIMP TOOL, AFM8.

LOCATOR	
HOLE DIMENSIONS	ADDITIONAL FEATURES
$\varnothing .067$ $\nabla .975$	

RESTRICTED & CONFIDENTIAL

CONFIDENTIAL PROPERTY OF DANIELS MANUFACTURING CORP. NOT TO BE DISCLOSED TO OTHERS, REPRODUCED OR USED FOR ANY OTHER PURPOSE, EXCEPT AS AUTHORIZED IN WRITING BY DANIELS MANUFACTURING. MUST BE RETURNED TO DANIELS MANUFACTURING CORP. ON COMPLETION OF ORDER OR OTHER PURPOSE FOR WHICH LENT.

DO NOT SCALE DRAWING

DRN. J. JOYCE	DATE 7/31/03	 DANIELS MANUFACTURING CORP. ORLANDO, FLORIDA CAGE 11851	TITLE	
CHK'D. RRR	DATE 7/31/03		ENVELOPE DRAWING POSITIONER	
APP'D.	DATE			
NOTE: THIS DRAWING IS AN OUTLINE DRAWING OF THE RESPECTIVE DMC PART NUMBER INDICATED. ACTUAL DMC PART NUMBER IS DRAWING NUMBER WITHOUT THE "-ENV" SUFFIX.		WHERE USED: AFM8	CAD P/N	SHEET
		SIZE A	K755-ENV	1 OF 1
		SCALE NTS	DWG. NO. K755-ENV	REV. 1