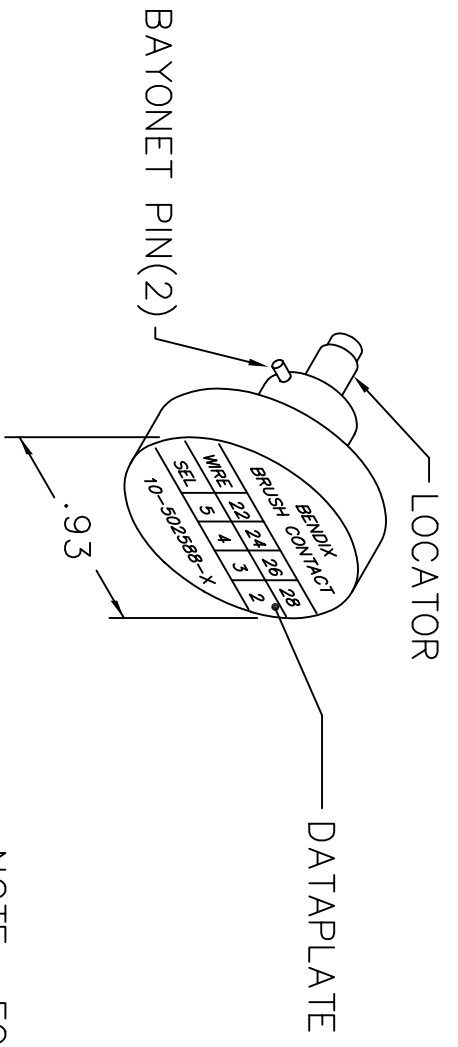
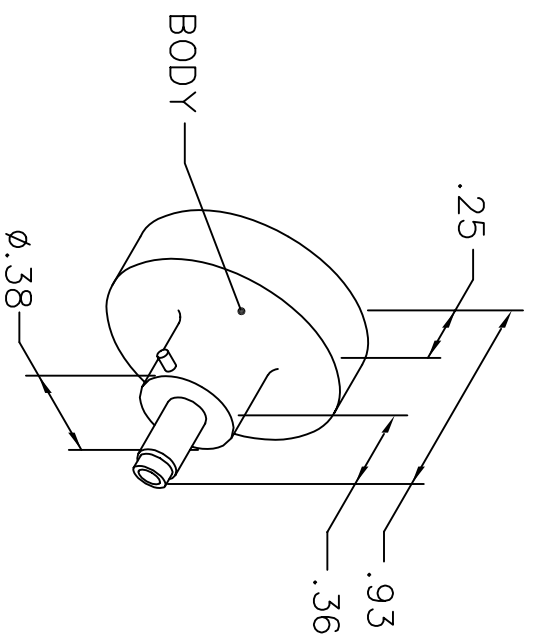


REVISIONS				
REV. SYM.	E.C.O. NUMBER	DESCRIPTION	BY DATE	APP'D DATE
1		ORIGINAL RELEASE	AAM 3-11-02	RRR 3-11-02

**UNCONTROLLED DOCUMENT  
WILL NOT BE UPDATED**



BENDIX BRUSH CONTACT					
WIRE	22	24	26	28	
SEL	5	4	3	2	
10-502588-X					

NOTE: FOR USE WITH DANIELS CRIMP TOOLS  
ACCOMMODATING "K" SERIES POSITIONERS

LOCATOR	ADDITIONAL FEATURES
HOLE DIMENSIONS	
$\phi .073$	
$\nabla .423$	

**RESTRICTED & CONFIDENTIAL**

CONFIDENTIAL PROPERTY OF DANIELS MANUFACTURING CORP. NOT TO BE DISCLOSED TO OTHERS, REPRODUCED OR USED FOR ANY OTHER PURPOSE, EXCEPT AS AUTHORIZED IN WRITING BY DANIELS MANUFACTURING. MUST BE RETURNED TO DANIELS MANUFACTURING CORP. ON COMPLETION OF ORDER OR OTHER PURPOSE FOR WHICH LENT.

**DO NOT SCALE DRAWING**

DRN. A. MOO-YOUNG	DATE 3-11-02	TITLE		WHERE USED: AFMB	CAD P/N	SHEET	OF
CHK'D. RRR	DATE 3-11-02	ENVELOPE DRAWING POSITIONER		DANIELS MANUFACTURING CORP. ORLANDO, FLORIDA CAGE 11851	K743-ENV	1	1
APP'D.	DATE						
APP'D.	DATE				K743-ENV		1

NOTE: THIS DRAWING IS AN OUTLINE DRAWING OF THE RESPECTIVE DMC PART NUMBER INDICATED. ACTUAL DMC PART NUMBER IS DRAWING NUMBER WITHOUT THE "-ENV" SUFFIX.