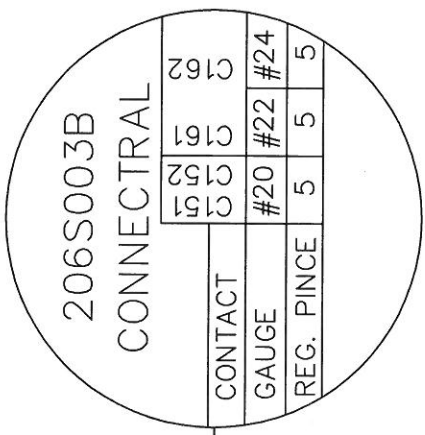
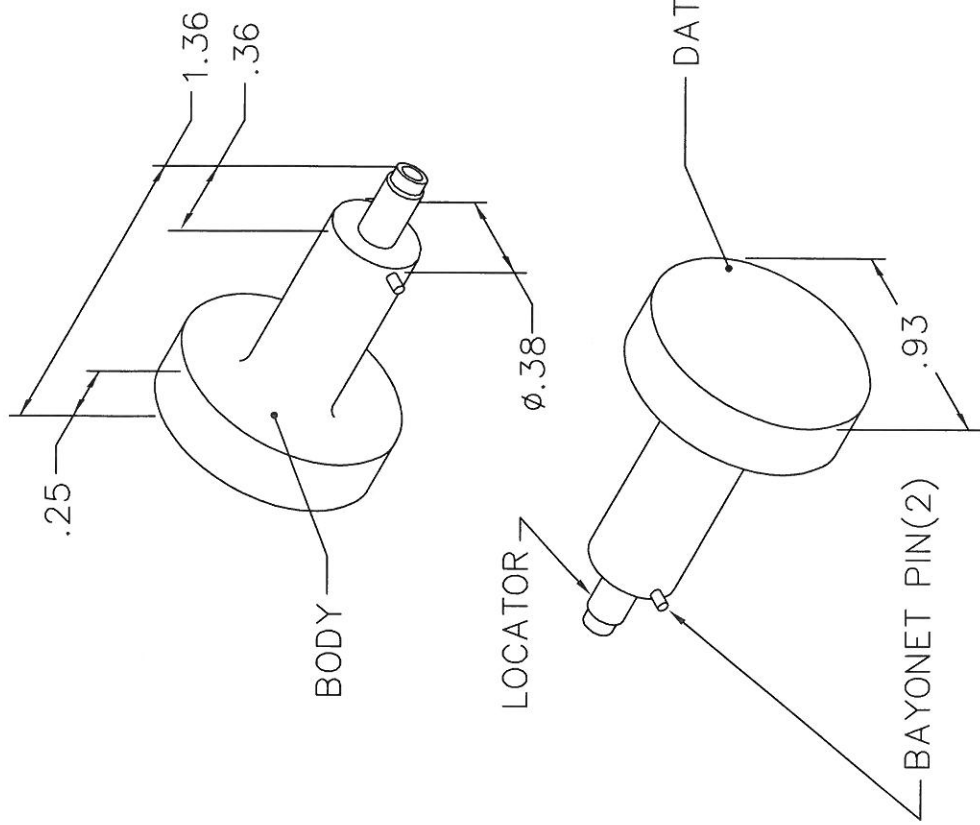


REVISIONS		
REV. SYM.	E.C.O. NUMBER	DESCRIPTION
1		ORIGINAL RELEASE
		BY DATE 3-25-13
		APP'D DATE

**UNCONTROLLED DOCUMENT
WILL NOT BE UPDATED**

DIMENSIONS IN INCHES - UNLESS OTHERWISE SPECIFIED



LOCATOR HOLE DIMENSIONS ϕ .093 ∇ .575		ADDITIONAL FEATURES 	
RESTRICTED & CONFIDENTIAL CONFIDENTIAL PROPERTY OF DANIELS MANUFACTURING CORP. NOT TO BE DISCLOSED TO OTHERS, REPRODUCED OR USED FOR ANY OTHER PURPOSE, EXCEPT AS AUTHORIZED IN WRITING BY DANIELS MANUFACTURING. MUST BE RETURNED TO DANIELS MANUFACTURING CORP. ON COMPLETION OF ORDER OR OTHER PURPOSE FOR WHICH LENT.			
DRN. <i>Tony Dilworth</i> CHK'D.		DATE 3-25-13 DATE	DATE DATE
APP'D. APP'D.		TITLE ENVELOPE DRAWING POSITIONER	
WHERE USED: AFMB		SIZE A SCALE NONE CAD P/N K739-ENV	SHEET 1 OF 1 REV. 1
THIS DRAWING IS AN OUTLINE DRAWING OF THE RESPECTIVE DMC PART NUMBER INDICATED. ACTUAL DMC PART NUMBER IS DRAWING PART NUMBER WITHOUT THE "-ENV" SUFFIX.		POSTING DWG. NO. K739-ENV	REV. 1
DO NOT SCALE DRAWING			

DMC
 DANIELS MANUFACTURING CORP.
 ORLANDO, FLORIDA
 CAGE 11851