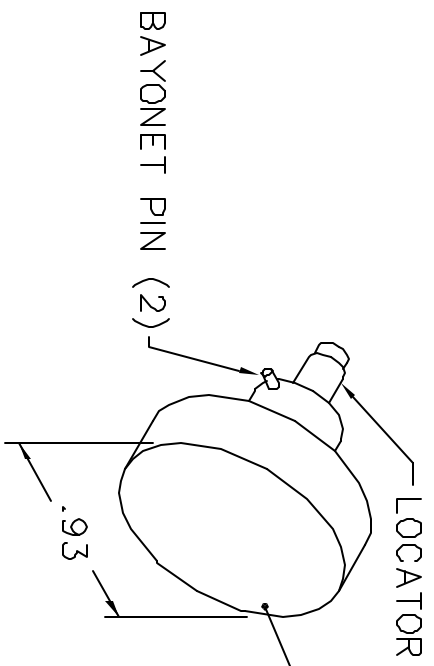
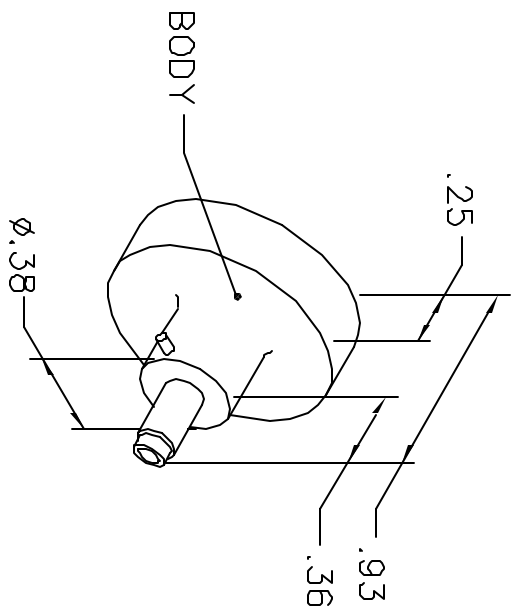


REVISIONS				
REV. SYM.	E.C.D. NUMBER	DESCRIPTION	BY DATE	APP'D DATE
1		ORIGINAL RELEASE	JMJ 3/23/05	RRR 3/23/05

**UNCONTROLLED DOCUMENT
WILL NOT BE UPDATED**



LEACH RELAY					
WIRE SIZE	22	24	26		
SEL. NO.	4	3	3		
001-7931-00					


NOTE: FOR USE WITH DANIELS CRIMP TOOLS
ACCOMMODATING "K" SERIES POSITIONERS

LOCATOR	LOCATOR
HOLE DIMENSIONS	ADDITIONAL FEATURES
∅.078 ∇.470	

RESTRICTED & CONFIDENTIAL

CONFIDENTIAL PROPERTY OF DANIELS MANUFACTURING CORP. NOT TO BE DISCLOSED TO OTHERS, REPRODUCED OR USED FOR ANY OTHER PURPOSE, EXCEPT AS AUTHORIZED IN WRITING BY DANIELS MANUFACTURING. MUST BE RETURNED TO DANIELS MANUFACTURING CORP. ON COMPLETION OF ORDER OR OTHER PURPOSE FOR WHICH LENT.

DO NOT SCALE DRAWING

DRN.	J. JOYCE	DATE	3/23/05	 DANIELS MANUFACTURING CORP. ORLANDO, FLORIDA CAGE 11851
CHK'D.	RRR	DATE	3/23/05	
APP'D.		DATE		
NOTE: THIS DRAWING IS AN OUTLINE DRAWING OF THE RESPECTIVE DMC PART NUMBER INDICATED. ACTUAL DMC PART NUMBER IS DRAWING NUMBER WITHOUT THE "-ENV" SUFFIX.				TITLE ENVELOPE DRAWING POSITIONER
WHERE USED:		ATMB	CAD P/N	
SIZE	SCALE		K712-ENV	
A	NTS			
POSTING	DWG. NO.		K712-ENV	
		SHEET	1	OF
		REV.	1	1