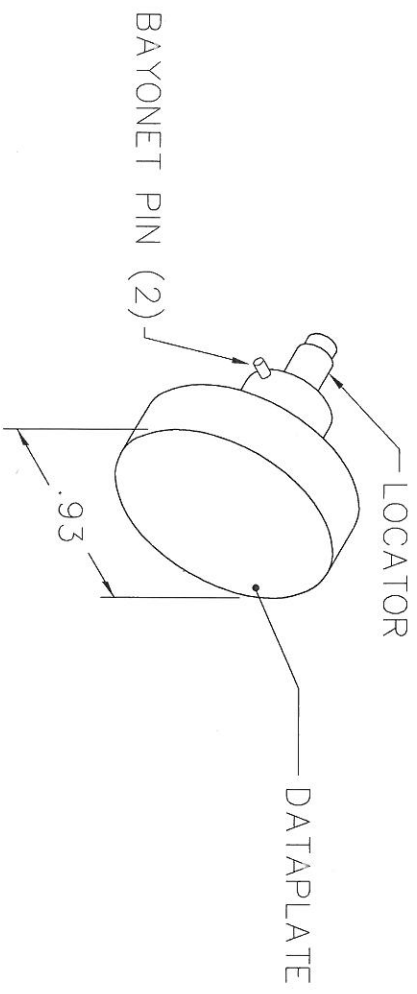
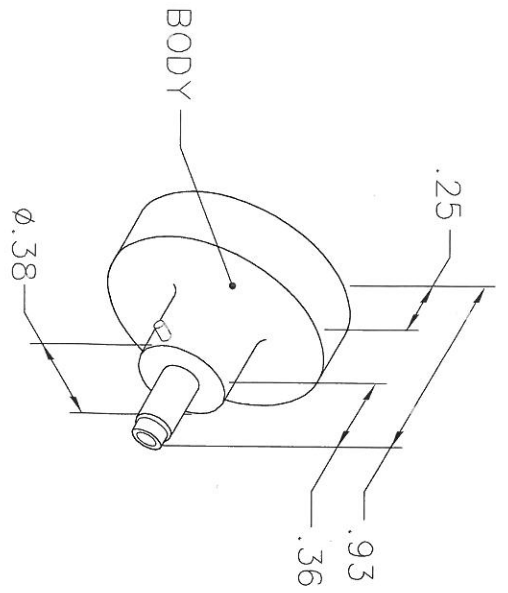


REVISIONS				
REV. SYM.	E.C.O. NUMBER	DESCRIPTION	BY DATE	APP'D DATE
1		ORIGINAL RELEASE	JWJ 3/23/05	RRR 3/23/05

**UNCONTROLLED DOCUMENT
WILL NOT BE UPDATED**



ITT CANNON			
WIRE SIZE	18	2X	
SEL. NO.	6	6	
	030-1954-000		
	030-1955-000		

LOCATOR	LOCATOR
HOLE DIMENSIONS	ADDITIONAL FEATURES
∅.067 ∓THRU	∟∅.089 ∓.435

RESTRICTED & CONFIDENTIAL

CONFIDENTIAL PROPERTY OF DANIELS MANUFACTURING CORP. NOT TO BE DISCLOSED TO OTHERS, REPRODUCED OR USED FOR ANY OTHER PURPOSE, EXCEPT AS AUTHORIZED IN WRITING BY DANIELS MANUFACTURING. MUST BE RETURNED TO DANIELS MANUFACTURING CORP. ON COMPLETION OF ORDER OR OTHER PURPOSE FOR WHICH LENT.

DO NOT SCALE DRAWING

DRN.	J. JOYCE	DATE	3/23/05
CHK'D.	RRR	DATE	3/23/05
APP'D.		DATE	
APP'D.		DATE	

NOTE:
THIS DRAWING IS AN OUTLINE DRAWING OF THE RESPECTIVE DMC PART NUMBER INDICATED. ACTUAL DMC PART NUMBER IS DRAWING NUMBER WITHOUT THE "-ENV" SUFFIX.

DMC DANIELS MANUFACTURING CORP.
ORLANDO, FLORIDA
CAGE 11851

TITLE
**ENVELOPE DRAWING
POSITIONER**

WHERE USED:	AFM8	CAD P/N	K711-ENV	SHEET	1	OF	1
SIZE	A	SCALE	NTS	DWG. NO.	K711-ENV	REV.	1
POSTING							