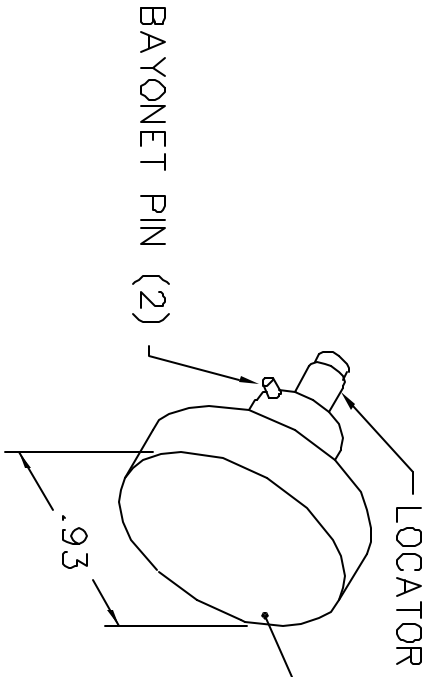
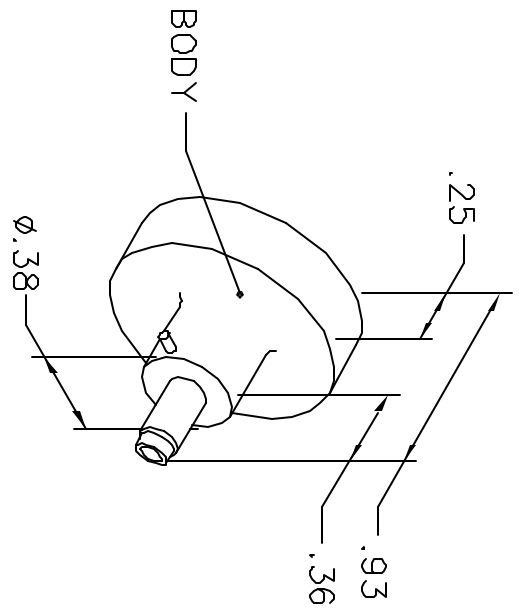


REVISIONS				
REV. SYM.	E.C.O. NUMBER	DESCRIPTION	BY DATE	APP'D DATE
1		ORIGINAL RELEASE	JMJ 11/29/04	RRR 11/29/04

**UNCONTROLLED DOCUMENT  
WILL NOT BE UPDATED**



PYLE-NATIONAL			
WIRE	22	24	26
SEL.	4	3	2
LMD-4022-36LU			


NOTE: FOR USE WITH DANIELS CRIMP TOOL, AFM8.

LOCATOR	ADDITIONAL FEATURES
HOLE DIMENSIONS	
Ø.067 ±.705	

**RESTRICTED & CONFIDENTIAL**

CONFIDENTIAL PROPERTY OF DANIELS MANUFACTURING CORP. NOT TO BE DISCLOSED TO OTHERS, REPRODUCED OR USED FOR ANY OTHER PURPOSE, EXCEPT AS AUTHORIZED IN WRITING BY DANIELS MANUFACTURING, MANUFACTURING CORP. ON COMPLETION OF ORDER OR OTHER PURPOSE FOR WHICH LENT.

DO NOT SCALE DRAWING

DRN. J. JOYCE	DATE 11/29/04	 DANIELS MANUFACTURING CORP. ORLANDO, FLORIDA CAGE 11851	TITLE POSITIONER ENVELOPE DRAWING	
CHKD. RRR	DATE 11/29/04			
APP'D.	DATE			
APP'D.	DATE			
NOTE: THIS DRAWING IS AN OUTLINE DRAWING OF THE RESPECTIVE DMC PART NUMBER INDICATED. ACTUAL DMC PART NUMBER IS DRAWING NUMBER WITHOUT THE "-ENV" SUFFIX.		WHERE USED: AFM8	CAD P/N	SHEET
		SIZE A	K703-ENV	1
		SCALE NTS	DWG. NO. K703-ENV	OF 1
		POSTING		REV. 1