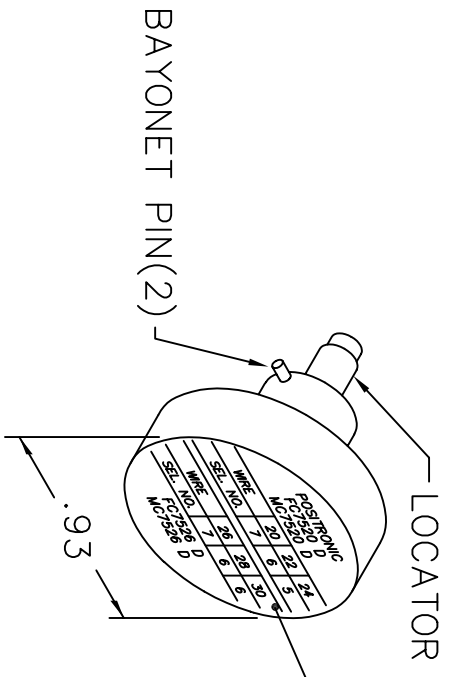
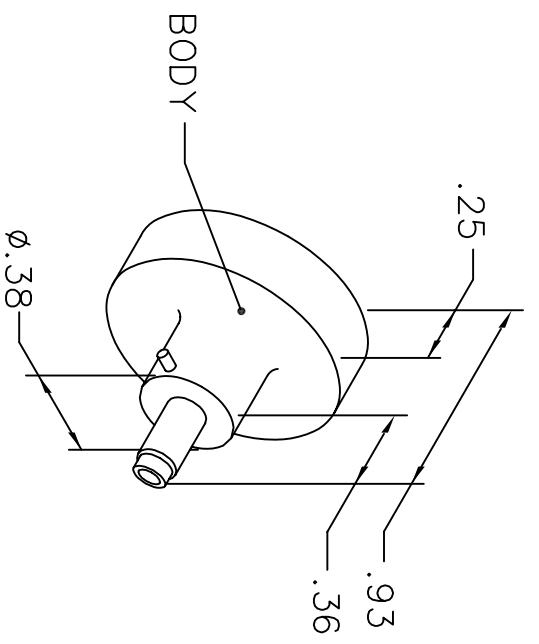


REVISIONS				
REV. SYM.	E.C.O. NUMBER	DESCRIPTION	BY DATE	APP'D DATE
1		ORIGINAL RELEASE	AAM 1-25-01	RRR 1-25-01

**UNCONTROLLED DOCUMENT  
WILL NOT BE UPDATED**



POSITRONIC				
FC7520 D				
MC7520 D				
WIRE	20	22	24	
SEL. NO.	7	6	5	
WIRE	26	28	30	
SEL. NO.	7	6	6	
FC7526 D				
MC7526 D				

NOTE: FOR USE WITH DANIELS CRIMP TOOLS  
ACCOMMODATING "K" SERIES POSITIONERS

LOCATOR	
HOLE DIMENSIONS	ADDITIONAL FEATURES
∅.089 ∇.485	

**RESTRICTED & CONFIDENTIAL**

CONFIDENTIAL PROPERTY OF DANIELS MANUFACTURING CORP. NOT TO BE DISCLOSED TO OTHERS, REPRODUCED OR USED FOR ANY OTHER PURPOSE, EXCEPT AS AUTHORIZED IN WRITING BY DANIELS MANUFACTURING. MUST BE RETURNED TO DANIELS MANUFACTURING CORP. ON COMPLETION OF ORDER OR OTHER PURPOSE FOR WHICH LENT.

**DO NOT SCALE DRAWING**

DRN. A. MOO-YOUNG	DATE 1-25-01	TITLE		
CHK'D. RRR	DATE 1-25-01	ENVELOPE DRAWING POSITIONER		
APP'D.	DATE	WHERE USED: AFM8		
APP'D.	DATE	SIZE A	SCALE NTS	CAD P/N K694-ENV
NOTE: THIS DRAWING IS AN OUTLINE DRAWING OF THE RESPECTIVE DMC PART NUMBER INDICATED. ACTUAL DMC PART NUMBER IS DRAWING NUMBER WITHOUT THE "-ENV" SUFFIX.		POSTING	DWG. NO. K694-ENV	SHEET 1 OF 1
				REV. 1



DANIELS MANUFACTURING CORP.  
ORLANDO, FLORIDA  
CAGE 11851