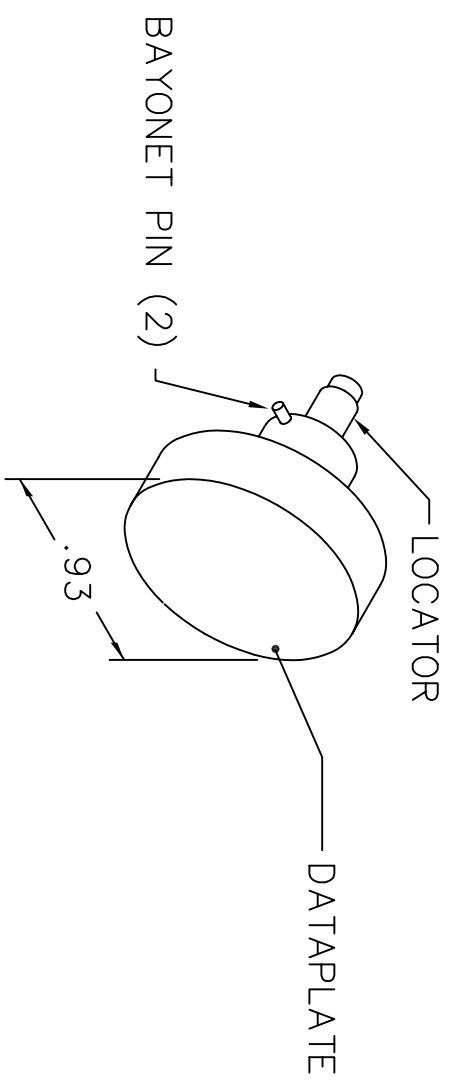
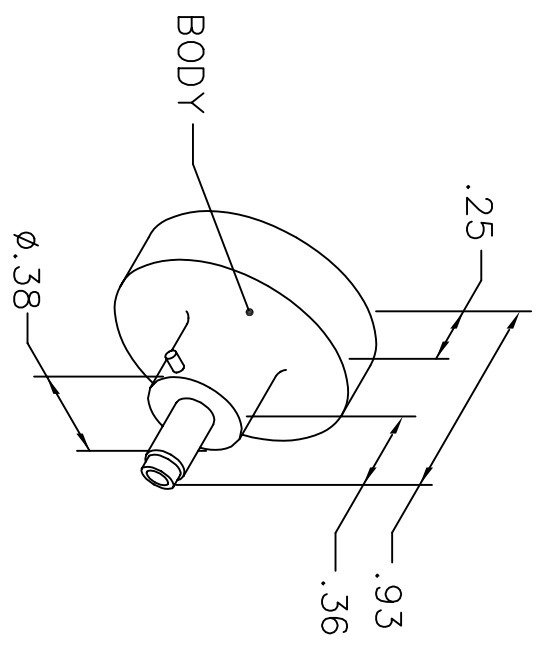


REVISIONS				
REV. SYM.	E.C.O. NUMBER	DESCRIPTION	BY DATE	APP'D DATE
1		ORIGINAL RELEASE	LGV 6/18/91	PD 6/91

**UNCONTROLLED DOCUMENT
WILL NOT BE UPDATED**



AMPHENOL
357-300-02
17 SERIES
17-763 17-1187
17-766 17-1309
17-1310

NOTE: FOR USE WITH DANIELS CRIMP TOOL AFM8.

LOCATOR	
HOLE DIMENSIONS	ADDITIONAL FEATURES
Ø.086 ±.495	

RESTRICTED & CONFIDENTIAL

CONFIDENTIAL PROPERTY OF DANIELS MANUFACTURING CORP. NOT TO BE DISCLOSED TO OTHERS, REPRODUCED OR USED FOR ANY OTHER PURPOSE, EXCEPT AS AUTHORIZED IN WRITING BY DANIELS MANUFACTURING. MUST BE RETURNED TO DANIELS MANUFACTURING CORP. ON COMPLETION OF ORDER OR OTHER PURPOSE FOR WHICH LENT.

DO NOT SCALE DRAWING

DRN.	LGV	DATE	6/18/91
CHK'D.	PD	DATE	6/18/91
APP'D.	AAM	DATE	6/18/91
APP'D.		DATE	

NOTE: THIS DRAWING IS AN OUTLINE DRAWING OF THE RESPECTIVE DMC PART NUMBER INDICATED. ACTUAL DMC PART NUMBER IS DRAWING NUMBER WITHOUT THE "-ENV" SUFFIX.

WHERE USED: AFM8

DMC DANIELS MANUFACTURING CORP.
ORLANDO, FLORIDA
CAGE 11851

TITLE: ENVELOPE DRAWING POSITIONER

SIZE	SCALE	CAD P/N	SHEET	OF
A	NTS	K66-ENV	1	1
POSTING		DWG. NO.		REV.
		K66-ENV		1