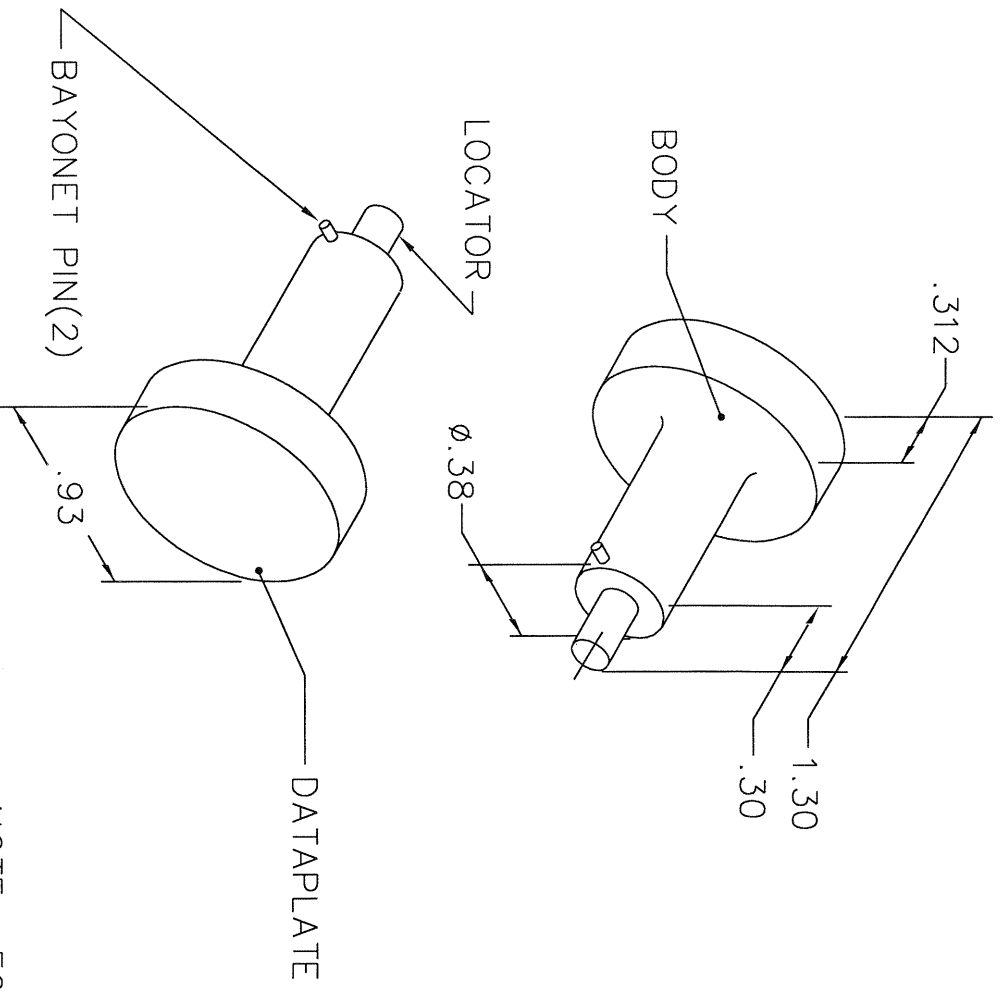


REVISIONS				
REV. SYM.	E.C.O. NUMBER	DESCRIPTION	BY DATE	APP'D DATE
1		ORIGINAL RELEASE	TD 11-29-07	

**UNCONTROLLED DOCUMENT  
WILL NOT BE UPDATED**



MATRIX CONTACTS				
WIRE	20	22	24	26
-1620 SEL.	7	6	5	
-1622 SEL.	4	3	2	
5000-074-1620				
5000-074-1622				
5100-052-1620				
5100-052-1622				
5100-059-1620				
5100-059-1622				

NOTE: FOR USE WITH DANIELS CRIMP TOOLS  
ACCOMMODATING "K" SERIES POSITIONNERS

LOCATOR	
HOLE DIMENSIONS	ADDITIONAL FEATURES
∅.118	∅.135
∇ THRU	∇ .090

**RESTRICTED & CONFIDENTIAL**

CONFIDENTIAL PROPERTY OF DANIELS MANUFACTURING CORP. NOT TO BE DISCLOSED TO OTHERS, REPRODUCED OR USED FOR ANY OTHER PURPOSE, EXCEPT AS AUTHORIZED IN WRITING BY DANIELS MANUFACTURING. MUST BE RETURNED TO DANIELS MANUFACTURING CORP. ON COMPLETION OF ORDER OR OTHER PURPOSE FOR WHICH LENT.

**DO NOT SCALE DRAWING**

DRN. <i>George DiLisworth</i>	DATE 11/29/07
CHK'D.	DATE
APP'D.	DATE
APP'D.	DATE

NOTE: THIS DRAWING IS AN OUTLINE DRAWING OF THE RESPECTIVE DMC PART NUMBER INDICATED. ACTUAL DMC PART NUMBER IS DRAWING NUMBER WITHOUT THE "-ENV" SUFFIX.

WHERE USED:

SIZE A	SCALE NTS	CAD P/N K662-ENV	SHEET 1 OF 1
POSTING		DMG NO. K662-ENV	REV. 1

**DANIELS MANUFACTURING CORP.**  
ORLANDO, FLORIDA  
CAGE 11851

**DMC**

ENVELOPE DRAWING  
POSITIONNER