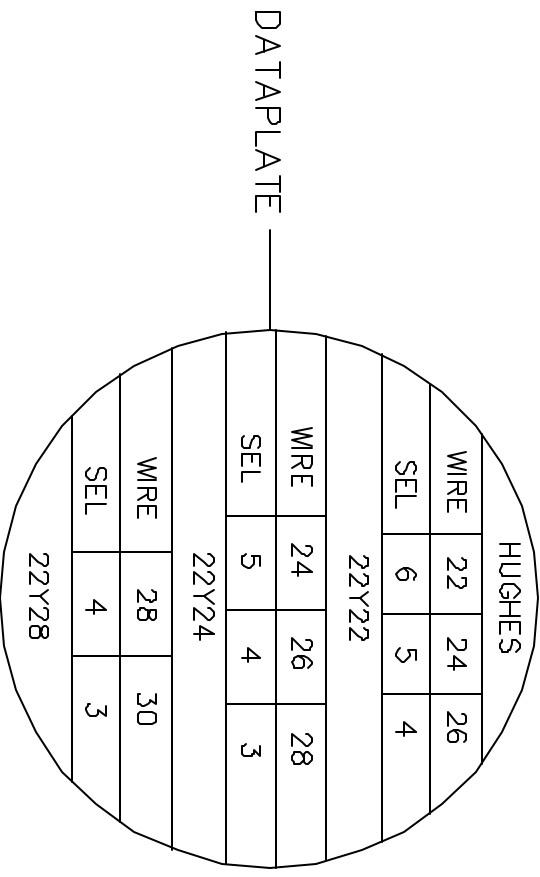
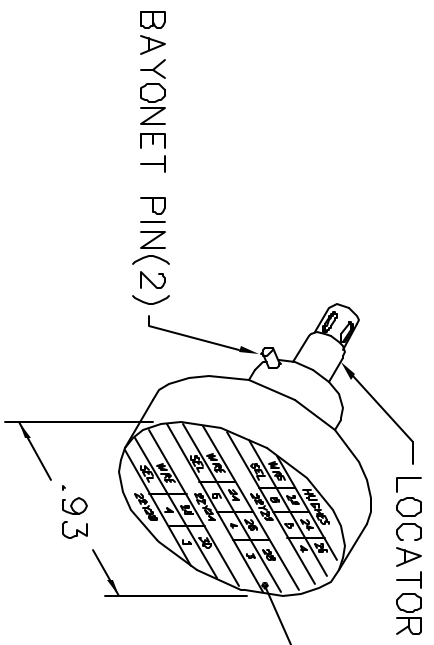
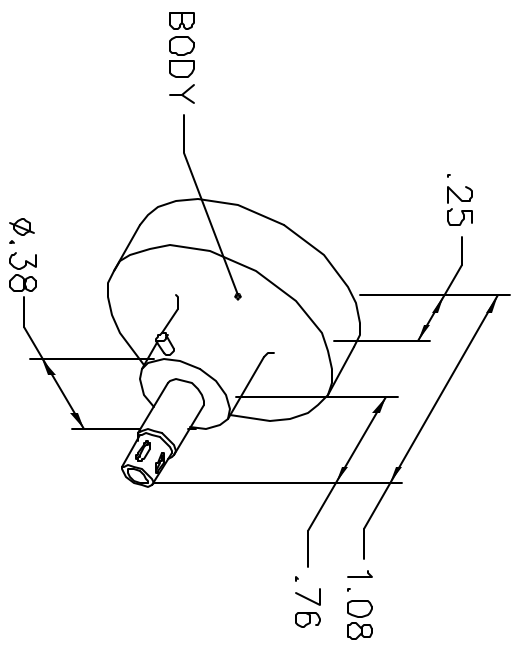


REVISIONS				
REV. SYM.	E.C.D. NUMBER	DESCRIPTION	BY DATE	APP'D DATE
2		LOC. DIMS. ADDED.	MGS 10-18-86	AAM 10-18-86

**UNCONTROLLED DOCUMENT  
WILL NOT BE UPDATED**



NOTE: FOR USE WITH DANIELS CRIMP TOOLS  
ACCOMMODATING "K" SERIES POSITIONERS

LOCATOR	ADDITIONAL FEATURES
HOLE DIMENSIONS	
∅.065	
∇.427	

**RESTRICTED & CONFIDENTIAL**

CONFIDENTIAL PROPERTY OF DANIELS MANUFACTURING CORP. NOT TO BE DISCLOSED TO OTHERS. REPRODUCED OR USED FOR ANY OTHER PURPOSE, EXCEPT AS AUTHORIZED IN WRITING BY DANIELS MANUFACTURING. MUST BE RETURNED TO DANIELS MANUFACTURING CORP. ON COMPLETION OF ORDER OR OTHER PURPOSE FOR WHICH LENT.

DO NOT SCALE DRAWING

DRNL	MGS	DATE
CHK'D.	LME	DATE
APP'D.	AAM	DATE
APP'D.		DATE

**DANIELS MANUFACTURING CORP.**  
ORLANDO, FLORIDA  
CAGE 11851

TITLE  
ENVELOPE DRAWING  
POSITIONER

WHERE USED: AMMB

SIZE	SCALE	CAD P/N	SHEET	OF
A	NTS	K6-7-8S-ENV	1	1
POSTING		P/N	REV.	
		K6-7-8S-ENV	2	