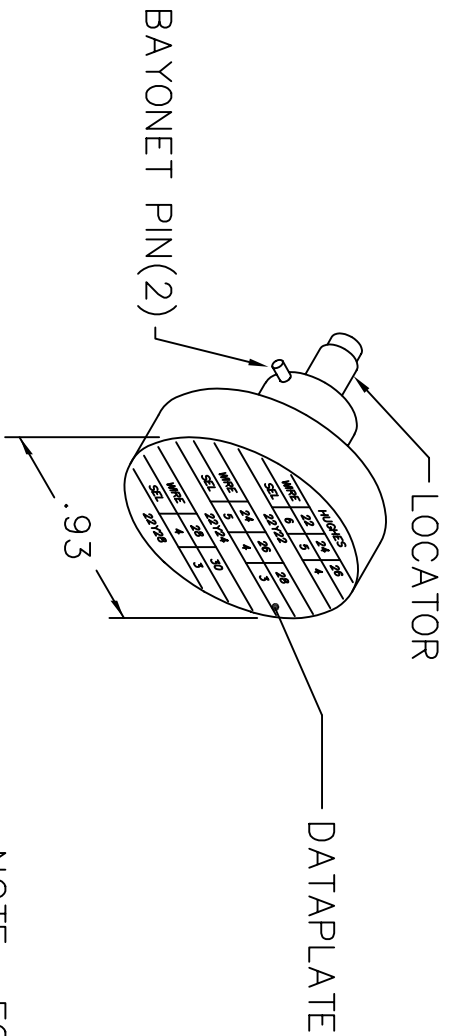
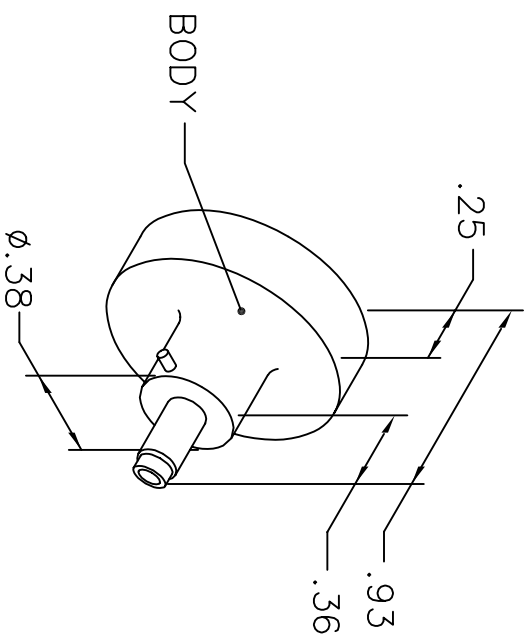


REVISIONS

REV. SYM.	E.C.O. NUMBER	DESCRIPTION	BY DATE	APP'D DATE
1		ORIGINAL RELEASE	TS 11-1-88	DH 11-1-88

**UNCONTROLLED DOCUMENT  
WILL NOT BE UPDATED**



HUGHES			
WIRE	22	24	26
SEL	6	5	4
22Y22			
WIRE	24	26	28
SEL	5	4	3
22Y24			
WIRE	28	30	
SEL	4	3	
22Y28			

NOTE: FOR USE WITH DANIELS CRIMP TOOLS  
ACCOMMODATING "K" SERIES POSITIONERS

LOCATOR	
HOLE DIMENSIONS	ADDITIONAL FEATURES
$\phi .063$ $\nabla .277$	

**RESTRICTED & CONFIDENTIAL**

CONFIDENTIAL PROPERTY OF DANIELS MANUFACTURING CORP. NOT TO BE DISCLOSED TO OTHERS, REPRODUCED OR USED FOR ANY OTHER PURPOSE, EXCEPT AS AUTHORIZED IN WRITING BY DANIELS MANUFACTURING. MUST BE RETURNED TO DANIELS MANUFACTURING CORP. ON COMPLETION OF ORDER OR OTHER PURPOSE FOR WHICH LENT.

**DO NOT SCALE DRAWING**

DRN.	TS	DATE	11-1-88
CHK'D.	DH	DATE	11-1-88
APP'D.	AAM	DATE	11-2-88
APP'D.		DATE	

NOTE: THIS DRAWING IS AN OUTLINE DRAWING OF THE RESPECTIVE DMC PART NUMBER INDICATED. ACTUAL DMC PART NUMBER IS DRAWING NUMBER WITHOUT THE "-ENV" SUFFIX.

WHERE USED: AFMB

**DMC** DANIELS MANUFACTURING CORP.  
ORLANDO, FLORIDA  
CAGE 11851

TITLE: ENVELOPE DRAWING POSITIONER

SIZE	SCALE	CAD P/N	SHEET	OF
A	NTS	K6-7-8-ENV	1	1
POSTING	DWG. NO.	K6-7-8-ENV	REV.	1