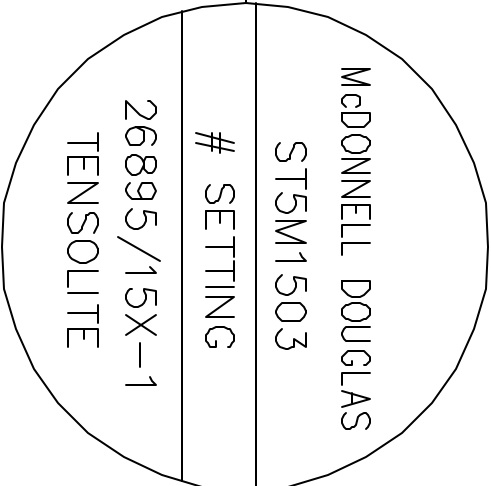
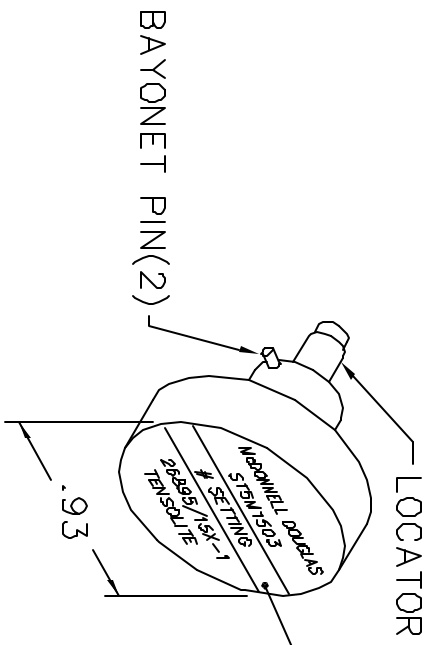
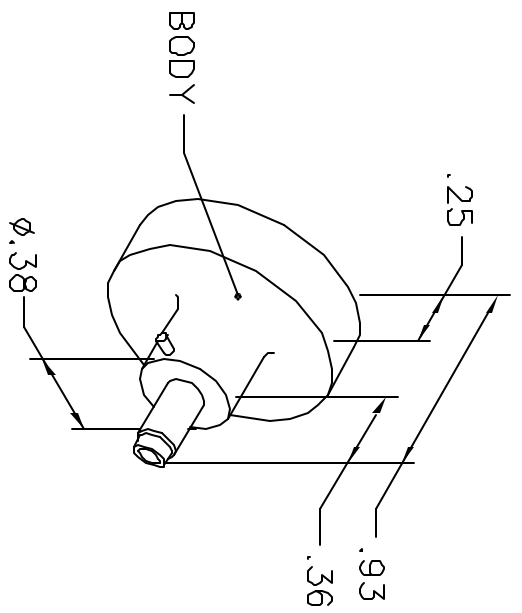


REVISIONS				
REV. SYM.	E.C.D. NUMBER	DESCRIPTION	BY DATE	APP'D DATE
1		ORIGINAL RELEASE	DVC 8-15-94	DD 8-15-94

**UNCONTROLLED DOCUMENT  
WILL NOT BE UPDATED**



NOTE: FOR USE WITH DANIELS CRIMP TOOLS  
ACCOMMODATING "K" SERIES POSITIONERS

LOCATOR	ADDITIONAL FEATURES
HOLE DIMENSIONS	
∅.055	
∇.425	

**RESTRICTED & CONFIDENTIAL**

CONFIDENTIAL PROPERTY OF DANIELS MANUFACTURING CORP. NOT TO BE DISCLOSED TO OTHERS, REPRODUCED OR USED FOR ANY OTHER PURPOSE, EXCEPT AS AUTHORIZED IN WRITING BY DANIELS MANUFACTURING. MUST BE RETURNED TO DANIELS MANUFACTURING CORP. ON COMPLETION OF ORDER OR OTHER PURPOSE FOR WHICH LENT.

DO NOT SCALE DRAWING

DRN. DUNG CAO	DATE 8-15-94	TITLE	
CHK'D. DD	DATE 8-15-94	ENVELOPE DRAWING POSITIONER	
APP'D. DATE	DATE	WHERE USED: ANMB	
APP'D. DATE	DATE	SIZE	CAD P/N
		A	K572-ENV
		NTS	DWG. NO. K572-ENV
		POSTING	SHEET 1 OF 1
			REV. 1

**DMS** DANIELS MANUFACTURING CORP.  
ORLANDO, FLORIDA  
CAGE 11851

ENVELOPE DRAWING  
POSITIONER