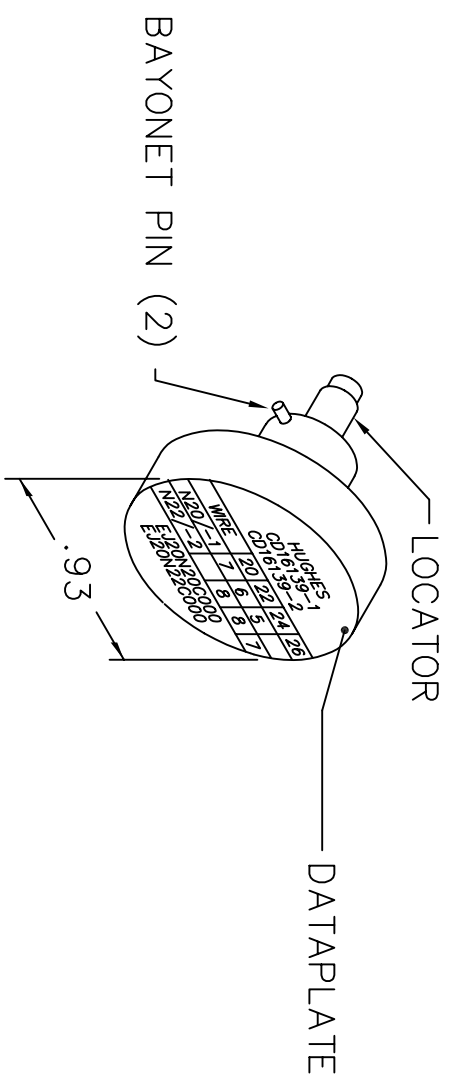
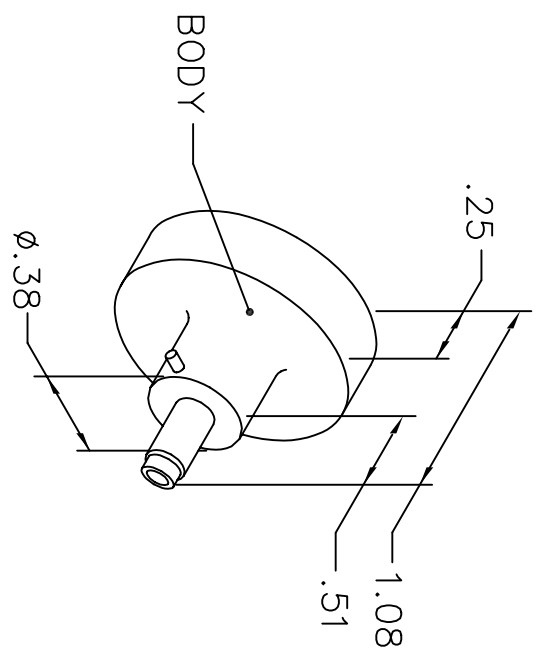


REVISIONS				
REV. SYM.	E.C.O. NUMBER	DESCRIPTION	BY DATE	APP'D DATE
1		ORIGINAL RELEASE	LME 10/21/86	MGS 10/86

**UNCONTROLLED DOCUMENT
WILL NOT BE UPDATED**



HUGHES					
CD16139-1					
CD16139-2					
WIRE	20	22	24	26	
N20/-1	7	6	5		
N22/-2		8	8	7	
EJ20N20C000					
EJ20N22C000					

NOTE: FOR USE WITH DANIELS CRIMP TOOLS
ACCOMMODATING "K" SERIES POSITIONERS

LOCATOR	
HOLE DIMENSIONS	ADDITIONAL FEATURES
Ø.067 ±.350	L □ Ø.079 ±.150

RESTRICTED & CONFIDENTIAL

CONFIDENTIAL PROPERTY OF DANIELS MANUFACTURING CORP. NOT TO BE DISCLOSED TO OTHERS, REPRODUCED OR USED FOR ANY OTHER PURPOSE, EXCEPT AS AUTHORIZED IN WRITING BY DANIELS MANUFACTURING. MUST BE RETURNED TO DANIELS MANUFACTURING CORP. ON COMPLETION OF ORDER OR OTHER PURPOSE FOR WHICH LENT.

DO NOT SCALE DRAWING

DRN.	LME	DATE	TITLE		
CHK'D.	MGS	DATE	POSITIONER ENVELOPE DRAWING		
APP'D.	AAM	DATE	WHERE USED:		
APP'D.		DATE	SIZE	SCALE	CAD P/N
			A	NTS	K51S-ENV
			POSTING		DWG. NO. K51S-ENV
NOTE: THIS DRAWING IS AN OUTLINE DRAWING OF THE RESPECTIVE DMC PART NUMBER INDICATED. ACTUAL DMC PART NUMBER IS DRAWING NUMBER WITHOUT THE "-ENV" SUFFIX.			SHEET	OF	REV.
			1	1	1



DANIELS MANUFACTURING CORP.
ORLANDO, FLORIDA
CAGE 11851