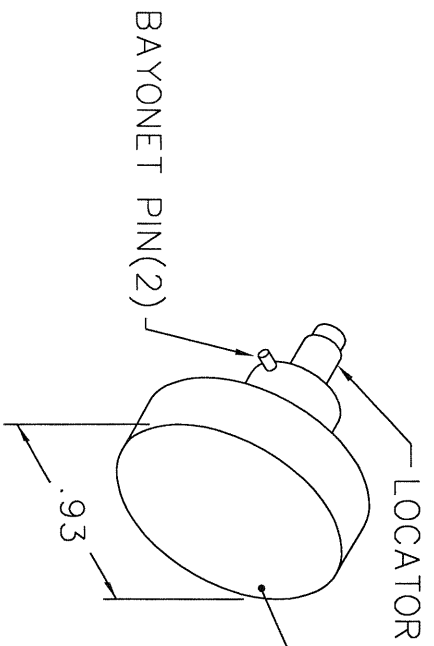
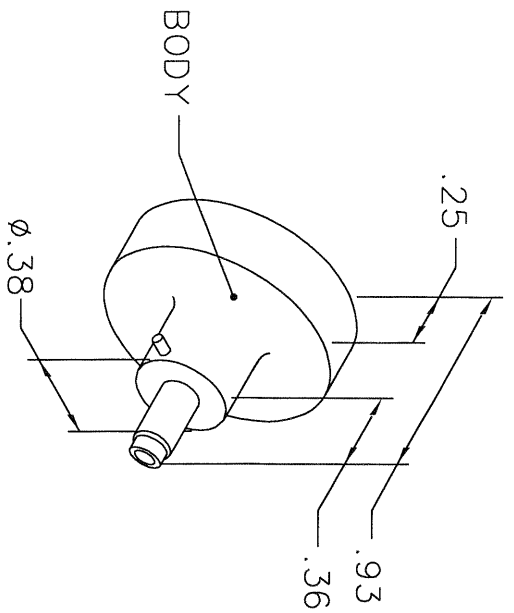


REVISIONS				
REV. SYM.	E.C.O. NUMBER	DESCRIPTION	BY DATE	APP'D DATE
1		ORIGINAL RELEASE	AAM 12-2-98	RRR 12-2-98

**UNCONTROLLED DOCUMENT
WILL NOT BE UPDATED**



AMP			
SEL. NO.	WIRE	CABLE	
4	—	RG141A, 142A, 142B 178B, 180B, 188, 195A, 196A, 303, 316 /U	
5	24	RG55B, 58C, 223 /U	
6	22	—	
7	20	—	

SOCKET ASSEMBLY INNER
CONTROL BUS 4


NOTE: FOR USE WITH DANIELS CRIMP TOOLS
ACCOMMODATING "K" SERIES POSITIONNERS

LOCATOR	
HOLE DIMENSIONS	ADDITIONAL FEATURES
∅.078 ∇.663	└┘ ∅.093 ∇.250

RESTRICTED & CONFIDENTIAL

CONFIDENTIAL PROPERTY OF DANIELS MANUFACTURING CORP. NOT TO BE DISCLOSED TO OTHERS, REPRODUCED OR USED FOR ANY OTHER PURPOSE, EXCEPT AS AUTHORIZED IN WRITING BY DANIELS MANUFACTURING. MUST BE RETURNED TO DANIELS MANUFACTURING CORP. ON COMPLETION OF ORDER OR OTHER PURPOSE FOR WHICH LENT.

DO NOT SCALE DRAWING

DRN. A. MOO-YOUNG	DATE 12-7-98	 <p>DANIELS MANUFACTURING CORP. ORLANDO, FLORIDA CAGE 11851</p>
CHK'D. RRR	DATE 12-2-98	
APP'D.	DATE	
APP'D.	DATE	

NOTE:
THIS DRAWING IS AN OUTLINE DRAWING OF THE RESPECTIVE DMG PART NUMBER INDICATED. ACTUAL DMG PART NUMBER IS DRAWING NUMBER WITHOUT THE "-ENV" SUFFIX.

WHERE USED: AFM8		TITLE	
SIZE A	SCALE NTS	ENVELOPE DRAWING POSITIONNER	
CAD P/N K491-ENV	DWG. NO. K491-ENV	SHEET 1	OF 1
POSTING		REV. 1	