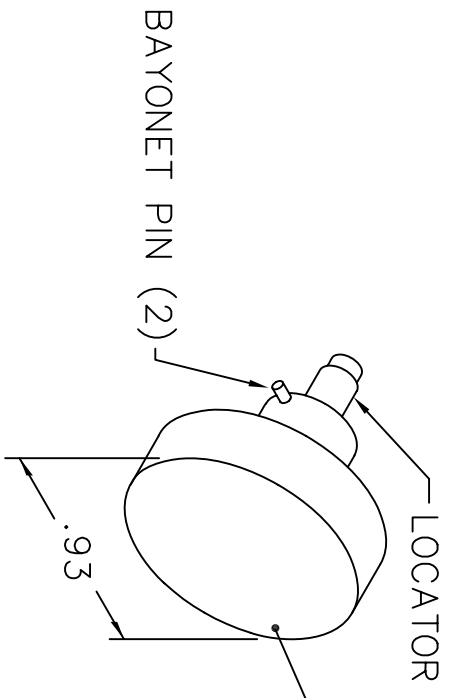
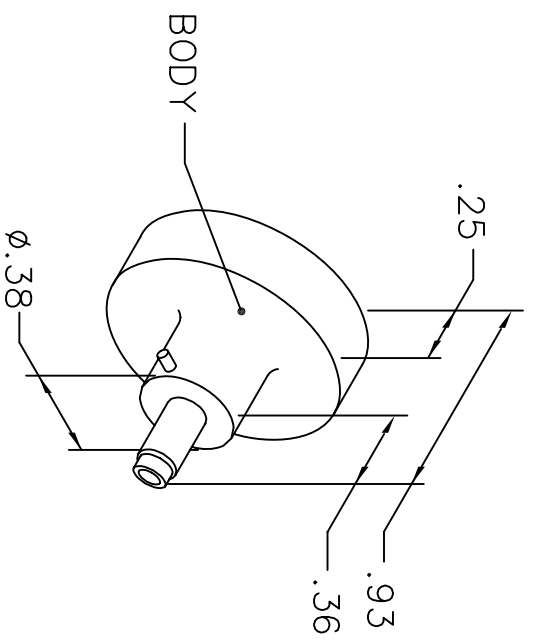


REVISIONS				
REV. SYM.	E.C.O. NUMBER	DESCRIPTION	BY DATE	APP'D DATE
1		ORIGINAL RELEASE	JWJ 2/16/06	RRR 2/16/06

**UNCONTROLLED DOCUMENT
WILL NOT BE UPDATED**



AMPHENOL			
WIRE	20	22	24
SEL.	7	6	5

67-1890-PIN
67-1772-SKT

NOTE: FOR USE WITH DANIELS CRIMP TOOLS
ACCOMMODATING "K" SERIES POSITIONERS

LOCATOR	
HOLE DIMENSIONS	ADDITIONAL FEATURES
∅.078 ∇.58 MIN.	└┘ ∅.093 ∇.133

RESTRICTED & CONFIDENTIAL

CONFIDENTIAL PROPERTY OF DANIELS MANUFACTURING CORP. NOT TO BE DISCLOSED TO OTHERS, REPRODUCED OR USED FOR ANY OTHER PURPOSE, EXCEPT AS AUTHORIZED IN WRITING BY DANIELS MANUFACTURING. MUST BE RETURNED TO DANIELS MANUFACTURING CORP. ON COMPLETION OF ORDER OR OTHER PURPOSE FOR WHICH LENT.

DO NOT SCALE DRAWING

DRN.	J. JOYCE	DATE	2/16/06
CHK'D.	RRR	DATE	2/16/06
APP'D.		DATE	
APP'D.		DATE	

NOTE:
THIS DRAWING IS AN OUTLINE DRAWING OF THE RESPECTIVE DMC PART NUMBER INDICATED. ACTUAL DMC PART NUMBER IS DRAWING NUMBER WITHOUT THE "-ENV" SUFFIX.

TITLE				DANIELS MANUFACTURING CORP. ORLANDO, FLORIDA CAGE 11851			
ENVELOPE DRAWING POSITIONER				WHERE USED: AFM8			
SIZE	SCALE	CAD P/N	SHEET	OF	REV.	NO.	
A	NTS	K403-ENV	1	1		K403-ENV	1