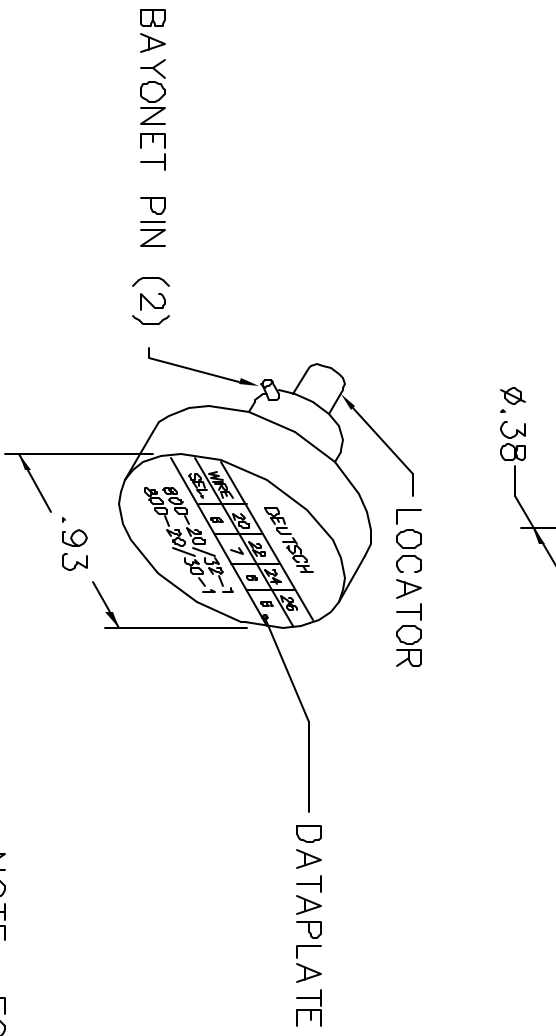
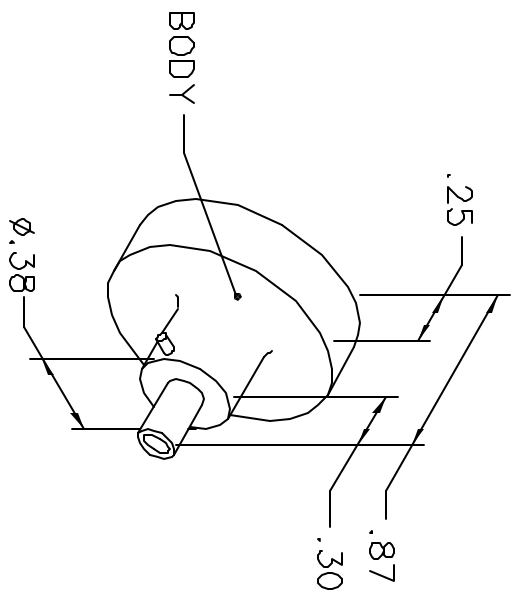


REVISIONS				
REV. SYM.	E.C.D. NUMBER	DESCRIPTION	BY DATE	APP'D DATE
A		ORIGINAL RELEASE	AAM 7-29-98	DE 7-98

**UNCONTROLLED DOCUMENT
WILL NOT BE UPDATED**



DEUTSCH				
WIRE	20	22	24	26
SEL.	8	7	6	6
800-20/32-1				
800-20/30-1				

NOTE: FOR USE WITH DANIELS CRIMP TOOLS
ACCOMMODATING "K" SERIES POSITIONERS

LOCATOR	ADDITIONAL FEATURES
HOLE DIMENSIONS	∅.125
∅.098	∇.175
∇.520 MIN.	

RESTRICTED & CONFIDENTIAL

CONFIDENTIAL PROPERTY OF DANIELS MANUFACTURING CORP. NOT TO BE DISCLOSED TO OTHERS, REPRODUCED OR USED FOR ANY OTHER PURPOSE, EXCEPT AS AUTHORIZED IN WRITING BY DANIELS MANUFACTURING. MUST BE RETURNED TO DANIELS MANUFACTURING CORP. ON COMPLETION OF ORDER OR OTHER PURPOSE FOR WHICH LENT.

DO NOT SCALE DRAWING

DRN. A. MOO-YOUNG	DATE 7-29-98		ENVELOPE DRAWING POSITIONER
CHK'D. DE	DATE 7-98		
APP'D. DATE	DATE		
NOTE: THIS DRAWING IS AN OUTLINE DRAWING OF THE RESPECTIVE INDICATED. ACTUAL DMC PART NUMBER IS DRAWING NUMBER WITHOUT THE "-ENV" SUFFIX.		WHERE USED: SIZE SCALE CAD P/N SHEET OF A NTS K392-ENV 1 1	DWG. NO. K392-ENV REV. A