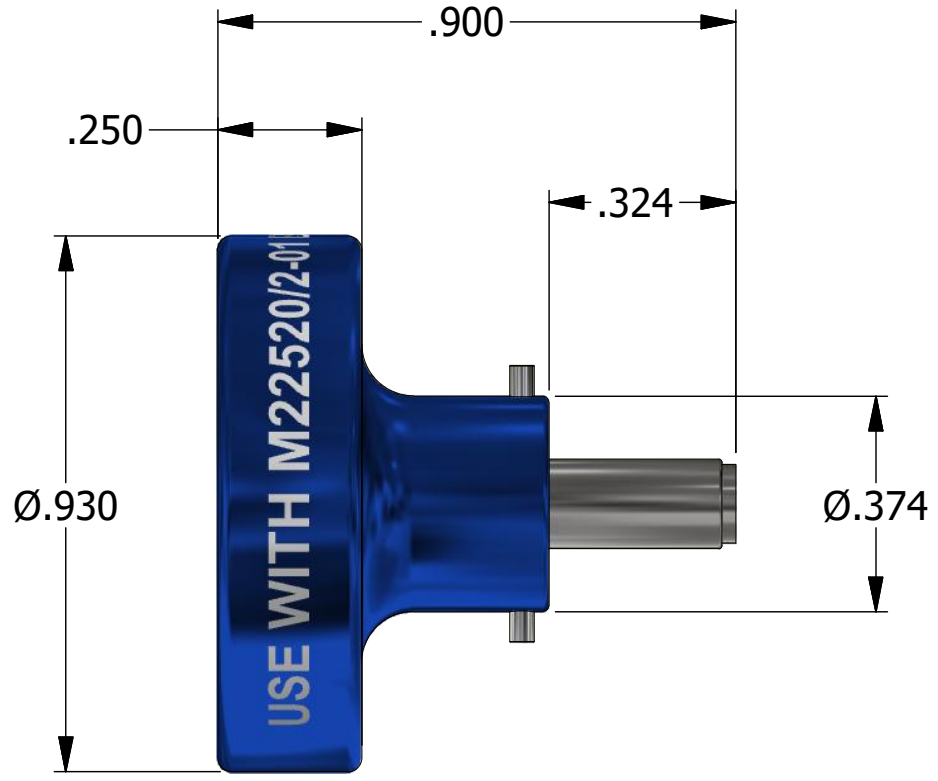
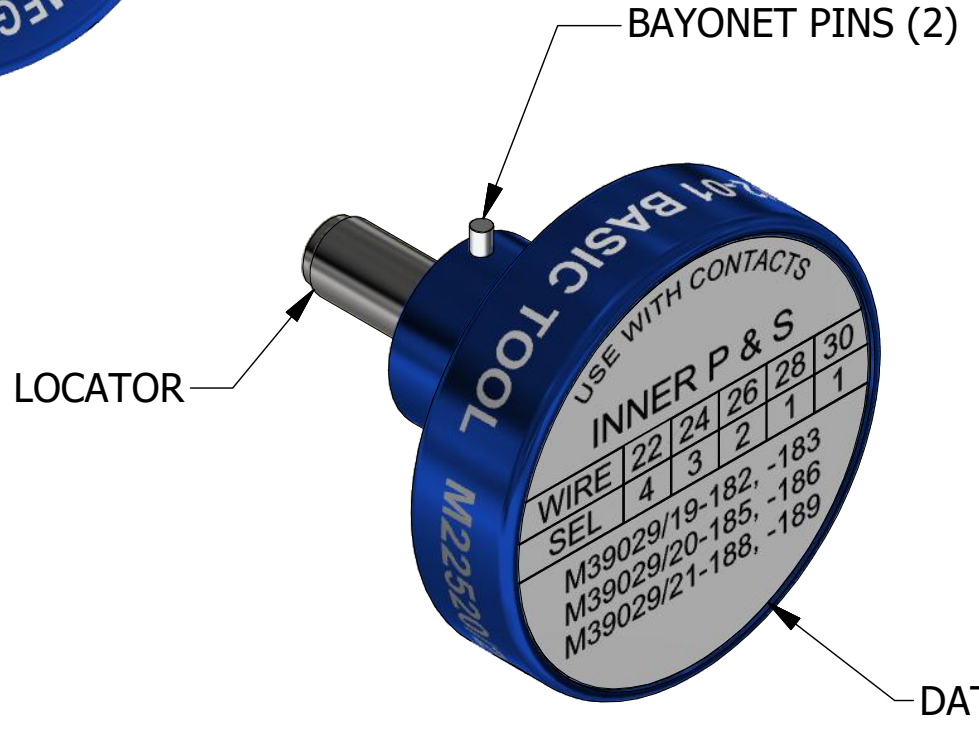


REVISIONS						
REV	ECO NO.	DESCRIPTION	BY	DATE	APP'D BY	DATE
1		ORIGINAL RELEASE	AAM	3/29/2001	RRR	3/29/2001
2	25000	DATAPLATE UPDATED	TonyD	3/20/2020		



**UNCONTROLLED DOCUMENT
WILL NOT BE UPDATED**
DIMENSIONS IN INCHES - UNLESS OTHERWISE SPECIFIED



USE WITH CONTACTS

INNER P & S					
WIRE	22	24	26	28	30
SEL	4	3	2	1	1
M39029/19-182, -183					
M39029/20-185, -186					
M39029/21-188, -189					

LOCATOR	
HOLE DIMENSIONS	ADDITIONAL FEATURES
Ø.094 ▽.364	

MATERIAL	ITEM	PART NO.	QTY.	DESCRIPTION / REMARKS
N/A	DRN. A. MOO-YOUNG CHK'D.	DATE 3/29/2001 DATE		DMC DANIELS MANUFACTURING CORP. ORLANDO, FLORIDA CAGE 11851
RESTRICTED & CONFIDENTIAL CONFIDENTIAL PROPERTY OF DANIELS MANUFACTURING CORP. NOT TO BE DISCLOSED TO OTHERS. REPRODUCTION OR USED FOR ANY OTHER PURPOSE EXCEPT AS AUTHORIZED IN WRITING BY DANIELS MANUFACTURING. MUST BE RETURNED TO DANIELS MANUFACTURING CORP. ON COMPLETION OF ORDER OR PURPOSES FOR WHICH LENT.	HEAT TREAT	N/A		NOTE: THIS DRAWING IS AN OUTLINE DRAWING OF THE RESPECTIVE DMC PART NUMBER INDICATED. ACTUAL DMC PART NUMBER IS CAD PART NUMBER WITHOUT THE "-ENV" SUFFIX
CREATED FROM AN INVENTOR MODEL. CHANGES MUST BE REFLECTED IN THE 3D PART	FINISH	N/A		TITLE POSITIONER (M22520/2-29) ENVELOPE DRAWING WHERE USED: AFM8
DO NOT SCALE DRAWING			SIZE B	SCALE 3 : 1
			CAD P/N K372-1-ENV	SHEET 1 OF 1
			DWG. NO. K372-1	REV. 2