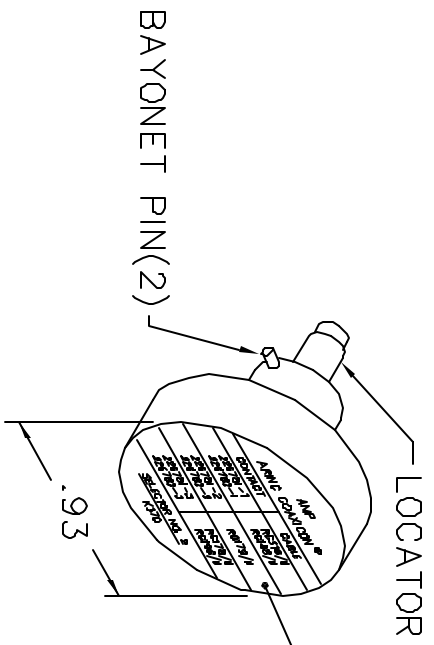
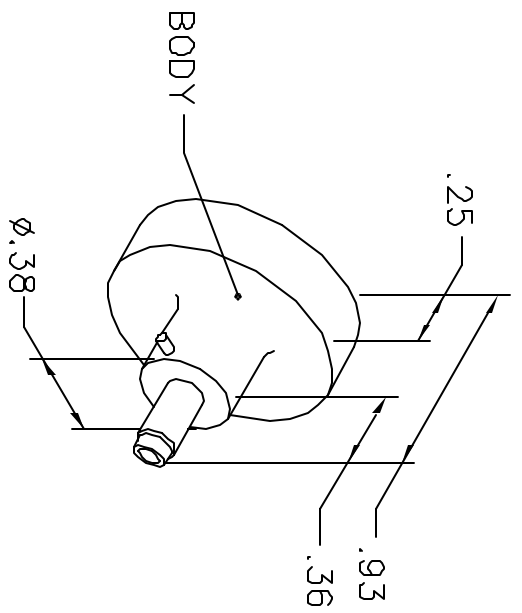


REVISIONS				
REV. SYM.	E.C.D. NUMBER	DESCRIPTION	BY DATE	APP'D DATE
2		UPDATE ON NEW FORMAT	DH 3-10-88	TS 3-10-88

**UNCONTROLLED DOCUMENT  
WILL NOT BE UPDATED**



AMP ARINC COAXICON®	
CONTACT	CABLE
226781-1	RG316/U
226782-1	RG188/U
226781-2	RG179/U
226781-3	RG178/U
226782-3	RG196/U
SELECTOR NO. 2 K370	

NOTE: FOR USE WITH DANIELS CRIMP TOOLS  
ACCOMMODATING "K" SERIES POSITIONERS

LOCATOR	
HOLE DIMENSIONS	ADDITIONAL FEATURES
Ø.028	└┘ Ø.043
▽.580 MIN.	▽.055

**RESTRICTED & CONFIDENTIAL**

CONFIDENTIAL PROPERTY OF DANIELS MANUFACTURING CORP. NOT TO BE DISCLOSED TO OTHERS, REPRODUCED OR USED FOR ANY OTHER PURPOSE, EXCEPT AS AUTHORIZED IN WRITING BY DANIELS MANUFACTURING. MUST BE RETURNED TO DANIELS MANUFACTURING CORP. ON COMPLETION OF ORDER OR OTHER PURPOSE FOR WHICH LENT.

DO NOT SCALE DRAWING

DRN. DH	DATE	3-10-88
CHKD. TS	DATE	3-10-88
APP'D. AAM	DATE	3-10-88
APP'D.	DATE	

NOTE: THIS DRAWING IS AN OUTLINE DRAWING OF THE RESPECTIVE DMG PART NUMBER INDICATED. ACTUAL DMG PART NUMBER IS DRAWING NUMBER WITHOUT THE "-ENV" SUFFIX.

WHERE USED: AMB		TITLE	
SIZE	SCALE	CAD P/N	ENVELOPE DRAWING POSITIONER
A	NTS	K370-ENV	
POSTING	DWG. NO.	K370-ENV	

**DMG** DANIELS MANUFACTURING CORP.  
ORLANDO, FLORIDA  
CAGE 11851

SHEET	OF
1	1
REV.	
2	