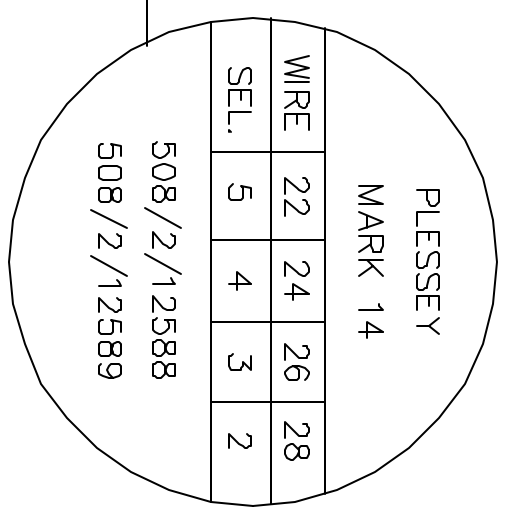
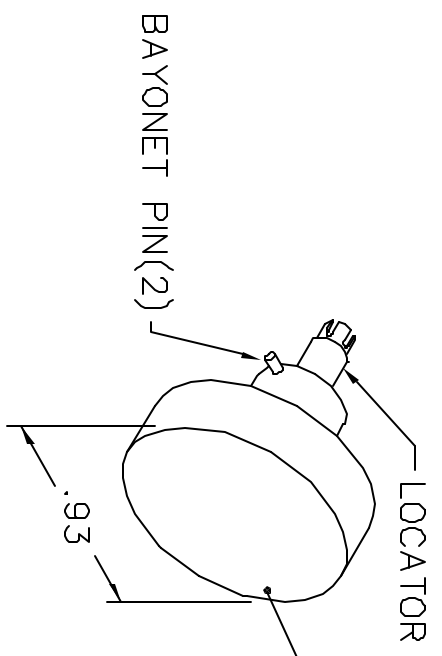
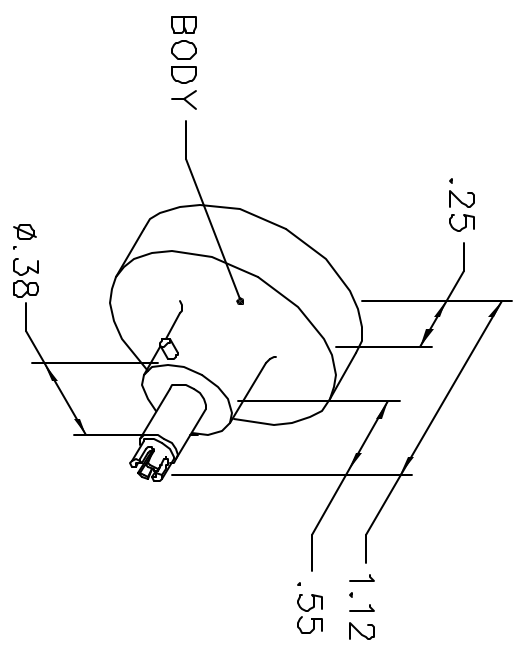


| REVISIONS | | | | |
|-----------|---------------|------------------|-------------|-------------|
| REV. SYM. | E.C.D. NUMBER | DESCRIPTION | BY DATE | APP'D DATE |
| 1 | | ORIGINAL RELEASE | JMU 9/22/04 | RRR 9/22/04 |

**UNCONTROLLED DOCUMENT
WILL NOT BE UPDATED**



NOTE: FOR USE WITH DANIELS CRIMP TOOLS
ACCOMMODATING "K" SERIES POSITIONERS

| LOCATOR | |
|-----------------|---------------------|
| HOLE DIMENSIONS | ADDITIONAL FEATURES |
| Ø.052 ∓.375 | |

RESTRICTED & CONFIDENTIAL


CONFIDENTIAL PROPERTY OF DANIELS MANUFACTURING CORP. NOT TO BE DISCLOSED TO OTHERS, REPRODUCED OR USED FOR ANY OTHER PURPOSE, EXCEPT AS AUTHORIZED IN WRITING BY DANIELS MANUFACTURING. MUST BE RETURNED TO DANIELS MANUFACTURING CORP. ON COMPLETION OF ORDER OR OTHER PURPOSE FOR WHICH LENT.

DO NOT SCALE DRAWING

| | |
|---------------|--------------|
| DRN. J. JOYCE | DATE 9/22/04 |
| CHK'D. RRR | DATE 9/22/04 |
| APP'D. | DATE |

NOTE:

THIS DRAWING IS AN OUTLINE DRAWING OF THE RESPECTIVE DIMC PART NUMBER INDICATED. ACTUAL DIMC PART NUMBER IS DRAWING NUMBER WITHOUT THE "-ENV" SUFFIX.

| | | | |
|---|--------------------|---|--------|
|  DANIELS MANUFACTURING CORP. ORLANDO, FLORIDA CAGE 11851 | | TITLE ENVELOPE DRAWING POSITIONER | |
| WHERE USED: | CAD P/N | SHEET | OF |
| SIZE A | K3655-ENV | 1 | 1 |
| SCALE NTS | DWG. NO. K3655-ENV | | |
| POSTING | | | REV. 1 |