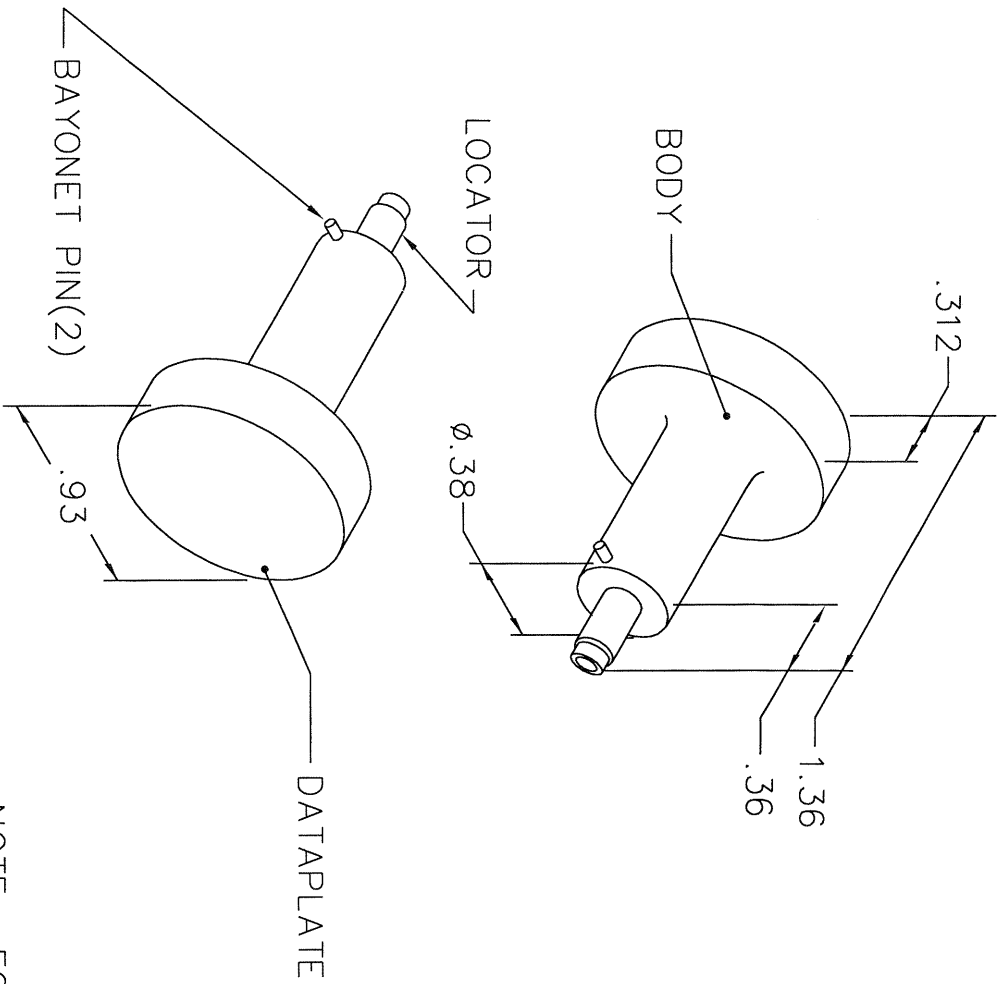


REVISIONS				
REV. SYM.	E.C.O. NUMBER	DESCRIPTION	BY DATE	APP'D DATE
1		ORIGINAL RELEASE	TD 11-29-07	

**UNCONTROLLED DOCUMENT
WILL NOT BE UPDATED**



AMP		
CONTACT	CABLE	SEL.
225837-1	SEMI RIGID RG141	8
ARINC COAXICON ® CONTACTS SIZE 1		

NOTE: FOR USE WITH DANIELS CRIMP TOOLS
ACCOMMODATING "K" SERIES POSITIONERS

LOCATOR	
HOLE DIMENSIONS	ADDITIONAL FEATURES
∅.096 ∇ THRU	∅.125 ∇ .590

RESTRICTED & CONFIDENTIAL

CONFIDENTIAL PROPERTY OF DANIELS MANUFACTURING CORP. NOT TO BE DISCLOSED TO OTHERS, REPRODUCED OR USED FOR ANY OTHER PURPOSE, EXCEPT AS AUTHORIZED IN WRITING BY DANIELS MANUFACTURING. MUST BE RETURNED TO DANIELS MANUFACTURING CORP. ON COMPLETION OF ORDER OR OTHER PURPOSE FOR WHICH LENT.

DO NOT SCALE DRAWING

DRN. <i>George DiLuozzi</i>	DATE 11/29/07	DMS DANIELS MANUFACTURING CORP. ORLANDO, FLORIDA CAGE 11851
CHK'D.	DATE	
APP'D.	DATE	ENVELOPE DRAWING POSITIONER
APP'D.	DATE	
NOTE: THIS DRAWING IS AN OUTLINE DRAWING OF THE RESPECTIVE DMC PART NUMBER INDICATED. ACTUAL DMC PART NUMBER IS DRAWING NUMBER WITHOUT THE "ENV" SUFFIX.		WHERE USED: SIZE SCALE A NTS POSTING
		CAD P/N K350-ENV DWG NO. K350-ENV SHEET 1 OF 1 REV. 1