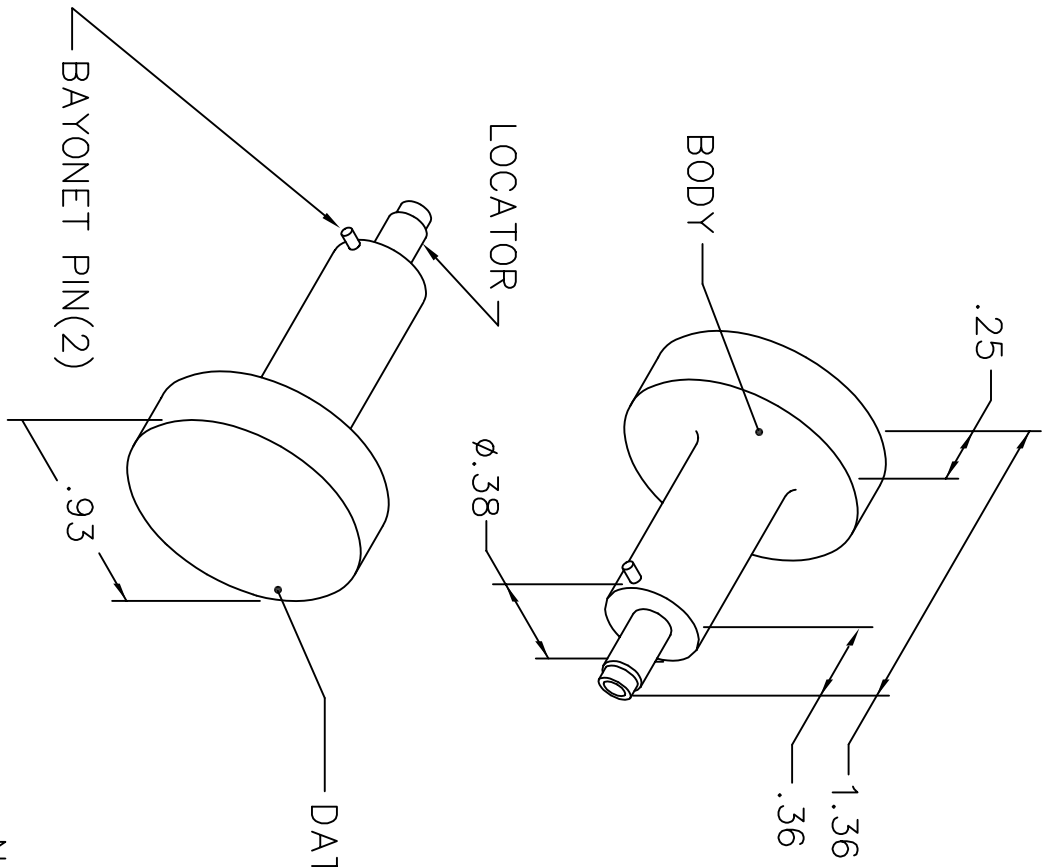


REVISIONS				
REV. SYM.	E.C.O. NUMBER	DESCRIPTION	BY DATE	APP'D DATE
1		ORIGINAL RELEASE	JMC 8-5-03	JWJ 8-5-03

**UNCONTROLLED DOCUMENT  
WILL NOT BE UPDATED**



DEUTSCH CO.			
WIRE	16	18	20
SEL.	8	7	6
81543-16			

NOTE: FOR USE WITH DANIELS CRIMP TOOLS  
ACCOMMODATING "K" SERIES POSITIONERS

LOCATOR	
HOLE DIMENSIONS	ADDITIONAL FEATURES
∅.109 ∇.810	

**RESTRICTED & CONFIDENTIAL**

CONFIDENTIAL PROPERTY OF DANIELS MANUFACTURING CORP. NOT TO BE DISCLOSED TO OTHERS, REPRODUCED OR USED FOR ANY OTHER PURPOSE, EXCEPT AS AUTHORIZED IN WRITING BY DANIELS MANUFACTURING. MUST BE RETURNED TO DANIELS MANUFACTURING CORP. ON COMPLETION OF ORDER OR OTHER PURPOSE FOR WHICH LENT.

DO NOT SCALE DRAWING

DRN.	JMC	DATE	8-5-03
CHK'D.	JWJ	DATE	8-5-03
APP'D.		DATE	
APP'D.		DATE	

NOTE: THIS DRAWING IS AN OUTLINE DRAWING OF THE RESPECTIVE DMC PART NUMBER INDICATED. ACTUAL DMC PART NUMBER IS DRAWING NUMBER WITHOUT THE "-ENV" SUFFIX.

TITLE		POSITIONER ENVELOPE DRAWING	
WHERE USED:		AFM8	
SIZE	SCALE	CAD P/N	SHEET OF
A	NTS	K343-1-ENV	1 1
POSTING		DMG. NO.	REV.
		K343-1-ENV	1

**DMC** DANIELS MANUFACTURING CORP.  
ORLANDO, FLORIDA  
CAGE 11851