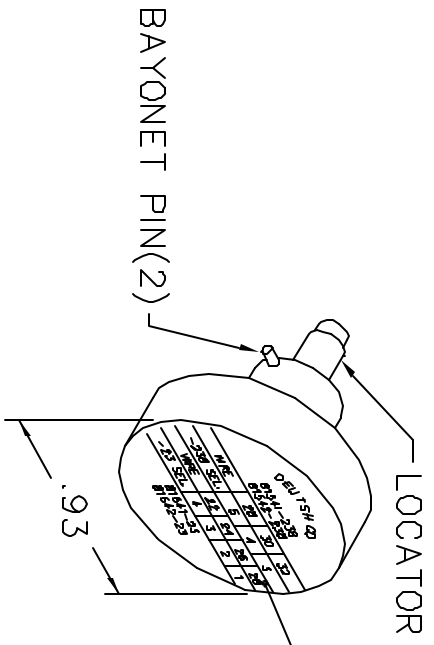
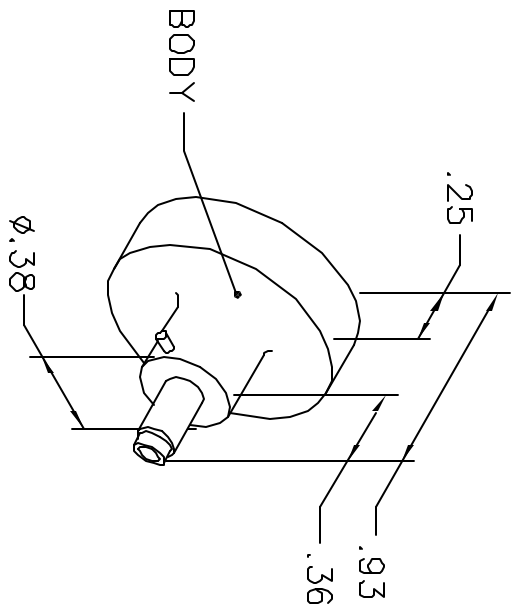


REVISIONS				
REV. SYM.	E.C.O. NUMBER	DESCRIPTION	BY DATE	APP'D DATE
1		ORIGINAL RELEASE	AAM 3-17-03	RRR 3-17-03

**UNCONTROLLED DOCUMENT
WILL NOT BE UPDATED**



DEUTSCH CO

WIRE	28	30	32
-238 SEL.	5	4	3
WIRE	22	24	26
-23 SEL.	4	3	2
			1

81541-23
81542-23

NOTE: FOR USE WITH DANIELS CRIMP TOOLS
ACCOMMODATING "K" SERIES POSITIONERS

LOCATOR	ADDITIONAL FEATURES
HOLE DIMENSIONS	∅.031
	∇.510
	∇.480

RESTRICTED & CONFIDENTIAL

CONFIDENTIAL PROPERTY OF DANIELS MANUFACTURING CORP. NOT TO BE DISCLOSED TO OTHERS, REPRODUCED OR USED FOR ANY OTHER PURPOSE, EXCEPT AS AUTHORIZED IN WRITING BY DANIELS MANUFACTURING. MUST BE RETURNED TO DANIELS MANUFACTURING CORP. ON COMPLETION OF ORDER OR OTHER PURPOSE FOR WHICH LENT.

DO NOT SCALE DRAWING

DRN. A. MOO-YOUNG	DATE 3-17-03	 DANIELS MANUFACTURING CORP. ORLANDO, FLORIDA CAGE 11851	TITLE ENVELOPE DRAWING POSITIONER
CHKD. RRR	DATE 3-17-03		
APP'D.	DATE		
APP'D.	DATE	WHERE USED: AFMB	
NOTE: THIS DRAWING IS AN OUTLINE DRAWING OF THE RESPECTIVE DIMC PART NUMBER INDICATED. ACTUAL DIMC PART NUMBER IS DRAWING NUMBER WITHOUT THE "-ENV" SUFFIX.		SIZE SCALE	GAD P/N
		A NTS	K338-1-ENV
		POSTING	DWG. NO. K338-1-ENV
			SHEET 1 OF 1
			REV. 1