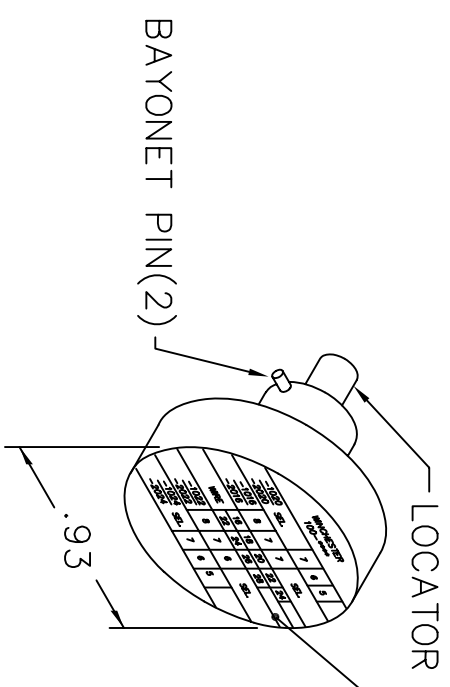
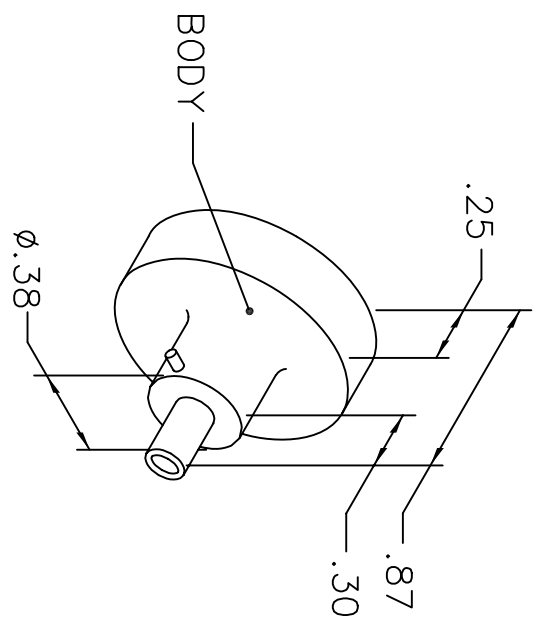


REVISIONS				
REV. SYM.	E.C.O. NUMBER	DESCRIPTION	BY DATE	APP'D DATE
1		ORIGINAL RELEASE	LW 4-22-89	TS 4-22-89

**UNCONTROLLED DOCUMENT
WILL NOT BE UPDATED**



WINCHESTER
100-****

-1020	SEL.	7	6	5	
-2020					
-1016	8	7	7	SEL.	
-2016					
WIRE	16	18	20	22	24
	22	24	26	28	
-1022					
-2022	8	7	6	SEL.	
-1024					
-2024	SEL.	7	6	5	

NOTE: FOR USE WITH DANIELS CRIMP TOOLS
ACCOMMODATING "K" SERIES POSITIONERS

LOCATOR	
HOLE DIMENSIONS	ADDITIONAL FEATURES
Ø.106 ↕ .512	L └─┘ Ø.125 ↕ .200

RESTRICTED & CONFIDENTIAL

CONFIDENTIAL PROPERTY OF DANIELS MANUFACTURING CORP. NOT TO BE DISCLOSED TO OTHERS, REPRODUCED OR USED FOR ANY OTHER PURPOSE, EXCEPT AS AUTHORIZED IN WRITING BY DANIELS MANUFACTURING. MUST BE RETURNED TO DANIELS MANUFACTURING CORP. ON COMPLETION OF ORDER OR OTHER PURPOSE FOR WHICH LENT.

DO NOT SCALE DRAWING

DRN.	LW	DATE	4-22-89
CHK'D.	TS	DATE	4-24-89
APP'D.	AAM	DATE	4-24-89
APP'D.		DATE	

NOTE: THIS DRAWING IS AN OUTLINE DRAWING OF THE RESPECTIVE DMC PART NUMBER INDICATED. ACTUAL DMC PART NUMBER IS DRAWING NUMBER WITHOUT THE "-ENV" SUFFIX.

TITLE		WHERE USED:	
ENVELOPE DRAWING POSITIONER		SIZE	CAD P/N
		A	K317-ENV
POSTING		DWG. NO.	K317-ENV

DMC DANIELS MANUFACTURING CORP.
ORLANDO, FLORIDA
CAGE 11851

SHEET	1	OF	1
REV.	1		