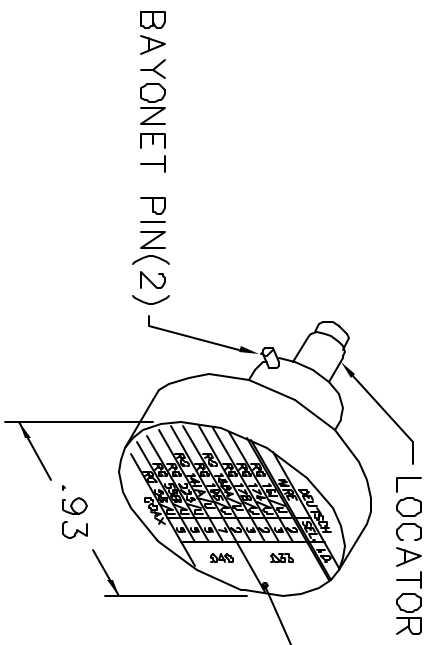
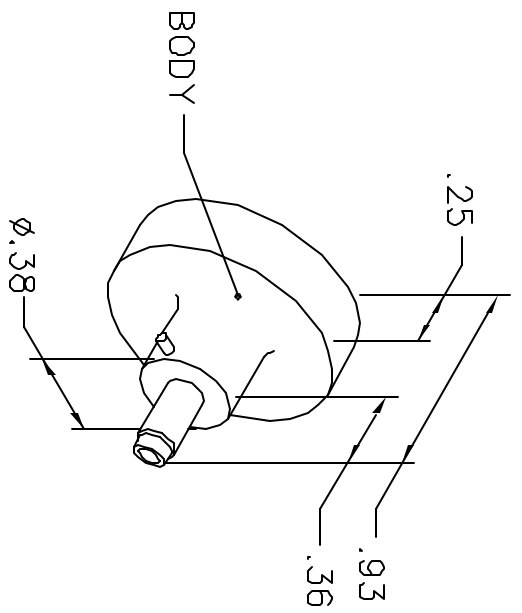


REVISIONS				
REV. SYM.	E.C.D. NUMBER	DESCRIPTION	BY DATE	APP'D DATE
1		ORIGINAL RELEASE	TS 11-1-88	DH 11-1-88

**UNCONTROLLED DOCUMENT
WILL NOT BE UPDATED**



DEUTSCH		
WIRE	SEL.	I.D.
RG 161/U	2	.33
RG 174/U	3	
RG 178/U	2	.40
RG 188A/U	3	
RG 195/U	2	.40
RG 141A/U	7	
RG 223/U	5	
RG 55B/U	5	.40
RG 58/U	5	
COAX		

NOTE: FOR USE WITH DANIELS CRIMP TOOLS
ACCOMMODATING "K" SERIES POSITIONERS

LOCATOR	
HOLE DIMENSIONS	ADDITIONAL FEATURES
∅.052 ∇.58 MIN.	┌┐∅.093 ∇.064

RESTRICTED & CONFIDENTIAL

CONFIDENTIAL PROPERTY OF DANIELS MANUFACTURING CORP. NOT TO BE DISCLOSED TO OTHERS, REPRODUCED OR USED FOR ANY OTHER PURPOSE, EXCEPT AS AUTHORIZED IN WRITING BY DANIELS MANUFACTURING. MUST BE RETURNED TO DANIELS MANUFACTURING CORP. ON COMPLETION OF ORDER OR OTHER PURPOSE FOR WHICH LENT.

DO NOT SCALE DRAWING

DRN.	TS	DATE
CHK'D.	DH	DATE
APP'D.	AAM	DATE
APP'D.		DATE

DANIELS MANUFACTURING CORP.
ORLANDO, FLORIDA
CAGE 11851

TITLE: ENVELOPE DRAWING POSITIONER

WHERE USED: ATW8

SIZE SCALE: A NTS

CAD P/N: K30C-ENV

SHEET 1 OF 1

POSTING: P/N K30C-ENV

REV. 1