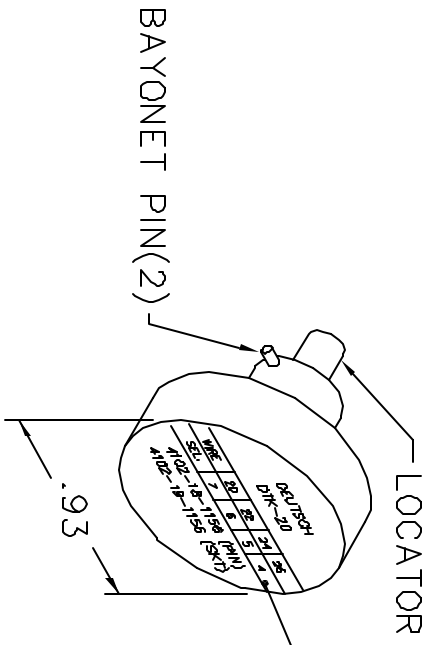
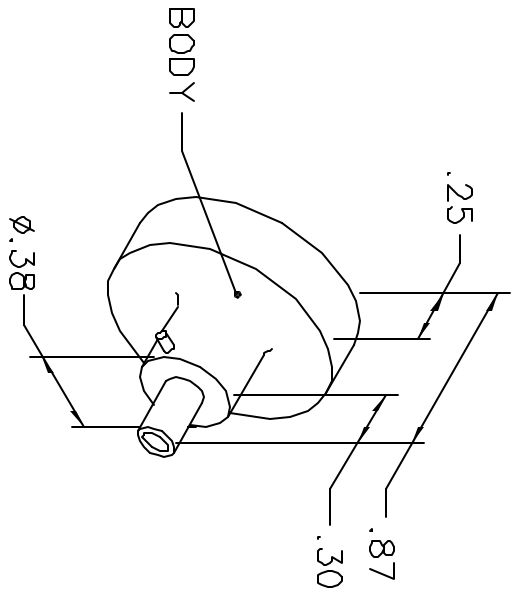


REVISIONS				
REV. SYM.	E.C.O. NUMBER	DESCRIPTION	BY DATE	APP'D DATE
1		ORIGINAL RELEASE	AAM 10-12-00	RRR 10-12-00

**UNCONTROLLED DOCUMENT
WILL NOT BE UPDATED**



DEUTSCH DTK-20				
WIRE	20	22	24	26
SEL.	7	6	5	4
4102-18-1156 (PIN) 4102-19-1156 (SKT)				

NOTE: FOR USE WITH DANIELS CRIMP TOOLS
ACCOMMODATING "K" SERIES POSITIONERS

LOCATOR	LOCATOR
HOLE DIMENSIONS	ADDITIONAL FEATURES
∅.081	└┘ ∅.125
∓ .52 MIN.	∓ .250

RESTRICTED & CONFIDENTIAL

CONFIDENTIAL PROPERTY OF DANIELS MANUFACTURING CORP. NOT TO BE DISCLOSED TO OTHERS, REPRODUCED OR USED FOR ANY OTHER PURPOSE, EXCEPT AS AUTHORIZED IN WRITING BY DANIELS MANUFACTURING. MUST BE RETURNED TO DANIELS MANUFACTURING CORP. ON COMPLETION OF ORDER OR OTHER PURPOSE FOR WHICH LENT.

DO NOT SCALE DRAWING

DRN. A. MOO-YOUNG	DATE 10-12-00	DMC DANIELS MANUFACTURING CORP. ORLANDO, FLORIDA CAGE 11851		ENVELOPE DRAWING POSITIONER	
CHK'D. RRR	DATE 10-12-00				
APP'D.	DATE	TITLE WHERE USED: AFMB			
APP'D.	DATE				
NOTE: THIS DRAWING IS AN OUTLINE DRAWING OF THE RESPECTIVE DMG PART NUMBER INDICATED. ACTUAL DMG PART NUMBER IS DRAWING NUMBER WITHOUT THE "-ENV" SUFFIX.		SIZE A	SCALE NTS	CAD P/N K2-ENV	SHEET 1 OF 1
		POSTING	DWG. NO. K2-ENV	REV. 1	REV. 1