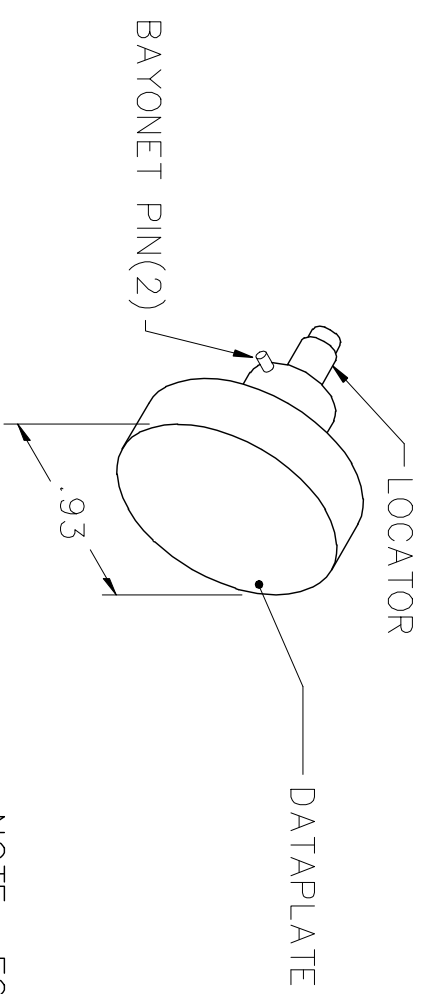
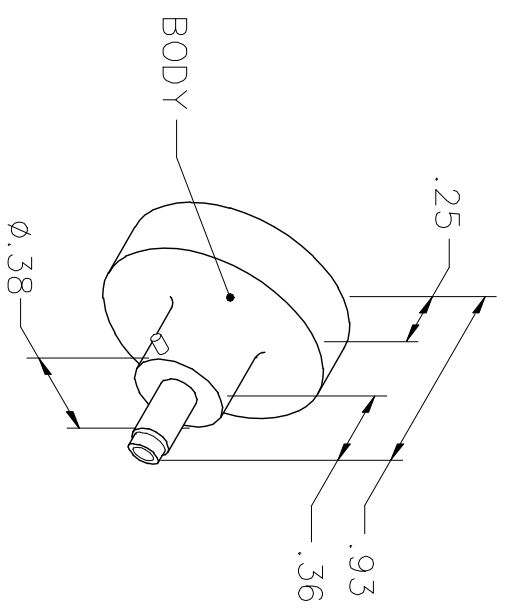


REVISIONS				
REV. SYM.	E.C.O. NUMBER	DESCRIPTION	BY DATE	APP'D DATE
1		ORIGINAL RELEASE	TD 2-3-09	

**UNCONTROLLED DOCUMENT  
WILL NOT BE UPDATED**



PYLE NATIONAL			
WIRE	20	22	24
SEL.	7	6	5
SB-4120-36LY			
SB-4020-36LY			

NOTE: FOR USE WITH DANIELS CRIMP TOOLS  
ACCOMMODATING "K" SERIES POSITIONERS

LOCATOR	
HOLE DIMENSIONS	ADDITIONAL FEATURES
∅.082 ∇ THRU	∅.109 ∇ .090

**RESTRICTED & CONFIDENTIAL**

CONFIDENTIAL PROPERTY OF DANIELS MANUFACTURING CORP. NOT TO BE DISCLOSED TO OTHERS, REPRODUCED OR USED FOR ANY OTHER PURPOSE, EXCEPT AS AUTHORIZED IN WRITING BY DANIELS MANUFACTURING. MUST BE RETURNED TO DANIELS MANUFACTURING CORP. ON COMPLETION OF ORDER OR OTHER PURPOSE FOR WHICH LENT.

**DO NOT SCALE DRAWING**

DRN. <i>Jenny Sitworth</i>	DATE 2-3-09	TITLE	
CHK'D.	DATE	ENVELOPE DRAWING POSITIONER	
APP'D.	DATE	WHERE USED: AFM8	CAD P/N
APP'D.	DATE	SIZE SCALE	K276-ENV
NOTE: THIS DRAWING IS AN OUTLINE DRAWING OF THE RESPECTIVE DMC PART NUMBER INDICATED. ACTUAL DMC PART NUMBER IS DRAWING NUMBER WITHOUT THE "-ENV" SUFFIX.		POSTING	DWG. NO. K276-ENV
		SHEET 1	OF 1
		REV. 1	

**DMC** DANIELS MANUFACTURING CORP.  
ORLANDO, FLORIDA  
CAGE 11851