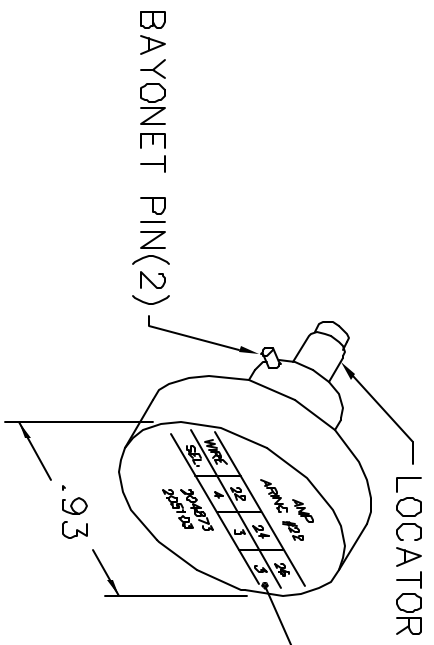
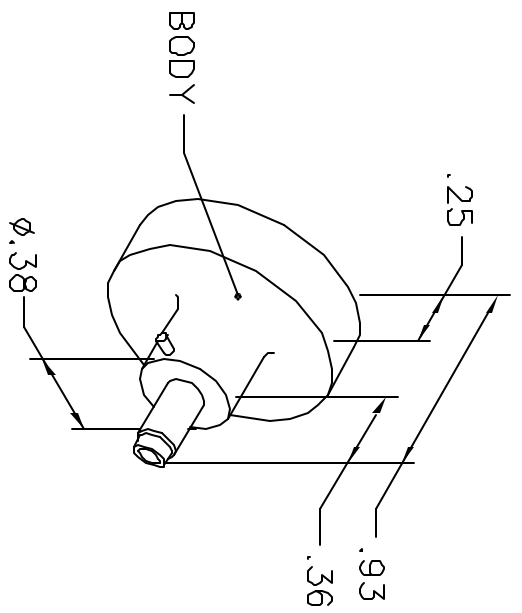


REVISIONS				
REV. SYM.	E.C.D. NUMBER	DESCRIPTION	BY DATE	APP'D DATE
2		REDRAWN	TS 3-15-88	ASM 3-15-88

**UNCONTROLLED DOCUMENT  
WILL NOT BE UPDATED**



AMP ARINC #22			
WIRE	22	24	26
SEL.	4	3	3
204873 205103			

NOTE: FOR USE WITH DANIELS CRIMP TOOLS  
ACCOMMODATING "K" SERIES POSITIONNERS

LOCATOR	
HOLE DIMENSIONS	ADDITIONAL FEATURES
Ø.063 ▽.58 MIN.	└┘ Ø.093 ▽.165

**RESTRICTED & CONFIDENTIAL**

CONFIDENTIAL PROPERTY OF DANIELS MANUFACTURING CORP. NOT TO BE DISCLOSED TO OTHERS, REPRODUCED OR USED FOR ANY OTHER PURPOSE, EXCEPT AS AUTHORIZED IN WRITING BY DANIELS MANUFACTURING. MUST BE RETURNED TO DANIELS MANUFACTURING CORP. ON COMPLETION OF ORDER OR OTHER PURPOSE FOR WHICH LENT.

DO NOT SCALE DRAWING

DRNL.	TS	DATE
CHK'D.	ASM	DATE
APP'D.	AAM	DATE
APP'D.		DATE

**DANIELS MANUFACTURING CORP.**  
ORLANDO, FLORIDA  
CAGE 11851

TITLE  
ENVELOPE DRAWING  
POSITIONNER

WHERE USED: ATW8

SIZE	SCALE	CAD P/N	SHEET	OF
A	NTS	K267-ENV	1	1
POSTING		P/N		REV.
		K267-ENV		2