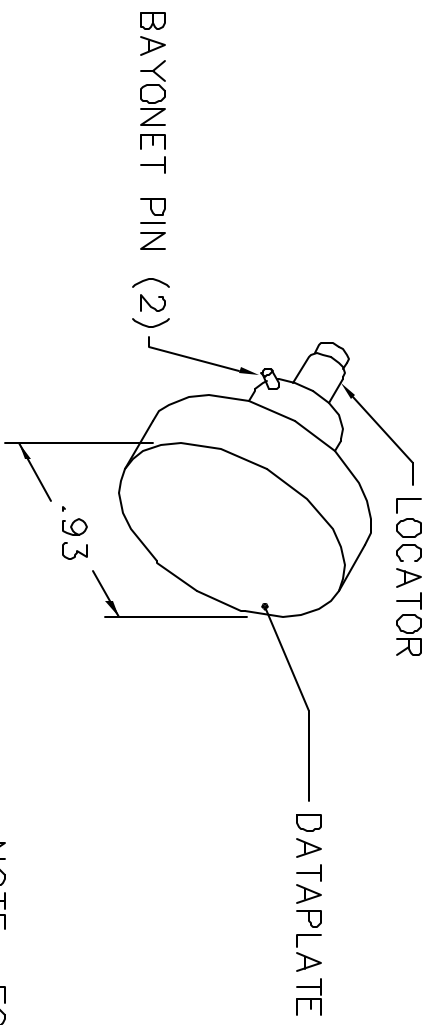
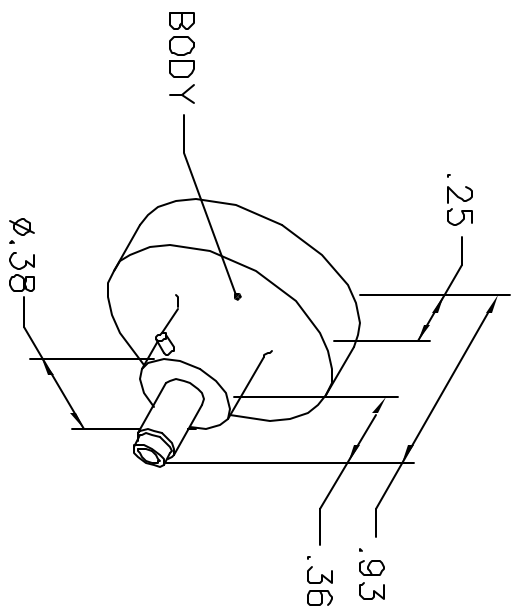


REVISIONS				
REV. SYM.	E.C.D. NUMBER	DESCRIPTION	BY DATE	APP'D DATE
1		ORIGINAL RELEASE	JML 4/4/05	RRR 4/4/05

**UNCONTROLLED DOCUMENT
WILL NOT BE UPDATED**



GLASS TECH			
WIRE	22	24	26
SEL.	4	3	3
115-206 (P) 118-310 (P)			

NOTE: FOR USE WITH DANIELS CRIMP TOOLS
ACCOMMODATING "K" SERIES POSITIONERS

LOCATOR	
HOLE DIMENSIONS	ADDITIONAL FEATURES
∅.081 ∇.495	

RESTRICTED & CONFIDENTIAL

CONFIDENTIAL PROPERTY OF DANIELS MANUFACTURING CORP. NOT TO BE DISCLOSED TO OTHERS, REPRODUCED OR USED FOR ANY OTHER PURPOSE, EXCEPT AS AUTHORIZED IN WRITING BY DANIELS MANUFACTURING. MUST BE RETURNED TO DANIELS MANUFACTURING CORP. ON COMPLETION OF ORDER OR OTHER PURPOSE FOR WHICH LENT.

DO NOT SCALE DRAWING

DRN.	J. JOYCE	DATE	4/4/05
CHK'D.	RRR	DATE	4/4/05
APP'D.		DATE	
APP'D.		DATE	

NOTE: THIS DRAWING IS AN OUTLINE DRAWING OF THE RESPECTIVE DMG PART NUMBER INDICATED. ACTUAL DMG PART NUMBER IS DRAWING NUMBER WITHOUT THE "-ENV" SUFFIX.

WHERE USED:	ATMB
SIZE	A
SCALE	NTS
CAD P/N	K265-ENV
DWG. NO.	K265-ENV

TITLE
**ENVELOPE DRAWING
POSITIONER**

SHEET	1	OF	1
REV.	1		

DANIELS MANUFACTURING CORP.
ORLANDO, FLORIDA
CAGE 11851