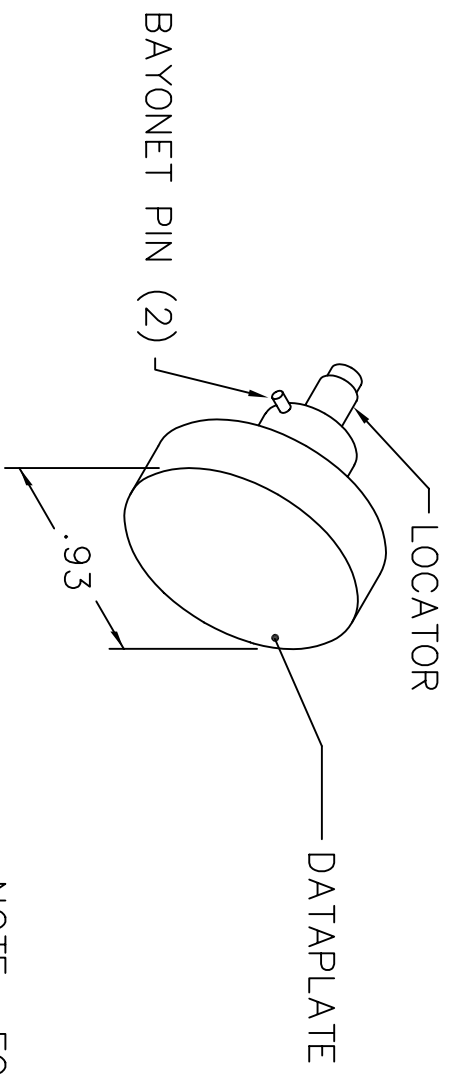
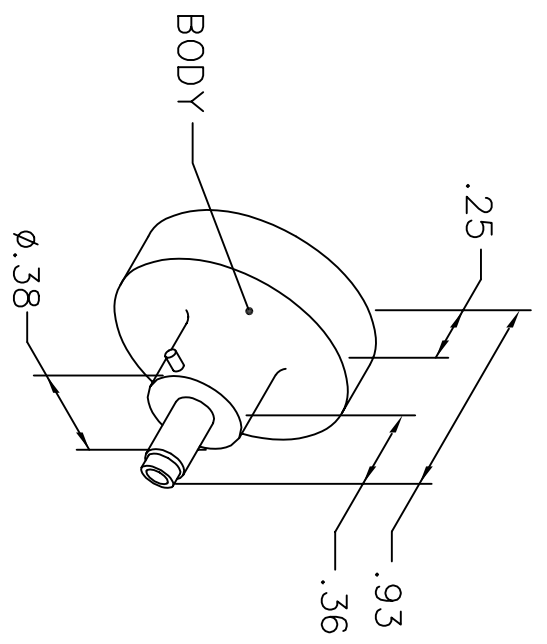


REVISIONS				
REV. SYM.	E.C.O. NUMBER	DESCRIPTION	BY DATE	APP'D DATE
1		ORIGINAL RELEASE	JWJ 10/14/03	RRR 10/14/03

**UNCONTROLLED DOCUMENT
WILL NOT BE UPDATED**



MICRODOT			
WIRE	26	28	30
SEL.	2	1	1
096--624--0000			

NOTE: FOR USE WITH DANIELS CRIMP TOOLS
ACCOMMODATING "K" SERIES POSITIONERS

LOCATOR	
HOLE DIMENSIONS	ADDITIONAL FEATURES
$\phi .036$ $\nabla .153$	$\phi .015$ PIN CENTRAL .153 LONG

RESTRICTED & CONFIDENTIAL

CONFIDENTIAL PROPERTY OF DANIELS MANUFACTURING CORP. NOT TO BE DISCLOSED TO OTHERS, REPRODUCED OR USED FOR ANY OTHER PURPOSE, EXCEPT AS AUTHORIZED IN WRITING BY DANIELS MANUFACTURING. MUST BE RETURNED TO DANIELS MANUFACTURING CORP. ON COMPLETION OF ORDER OR OTHER PURPOSE FOR WHICH LENT.

DO NOT SCALE DRAWING

DRN. J. JOYCE	DATE 10/14/03	DMC DANIELS MANUFACTURING CORP. ORLANDO, FLORIDA CAGE 11851	TITLE ENVELOPE DRAWING POSITIONER				
CHK'D. RRR	DATE 10/14/03						
APP'D.	DATE						
NOTE: THIS DRAWING IS AN OUTLINE DRAWING OF THE RESPECTIVE DMC PART NUMBER INDICATED. ACTUAL DMC PART NUMBER IS DRAWING NUMBER WITHOUT THE "-ENV" SUFFIX.		WHERE USED:	SIZE	SCALE	CAD P/N	SHEET	OF
		A	NTS	K258S-ENV	1	1	
		POSTING		DWG. NO. K258S-ENV			REV. 1