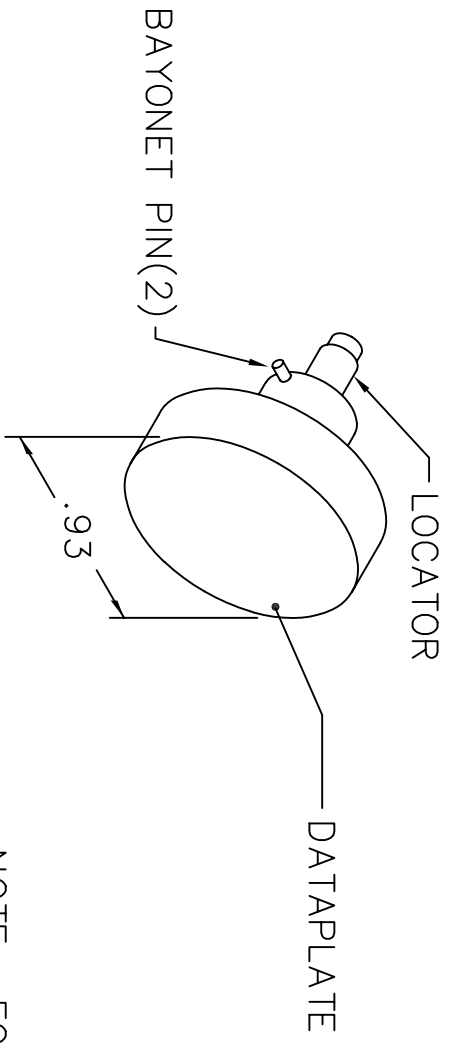
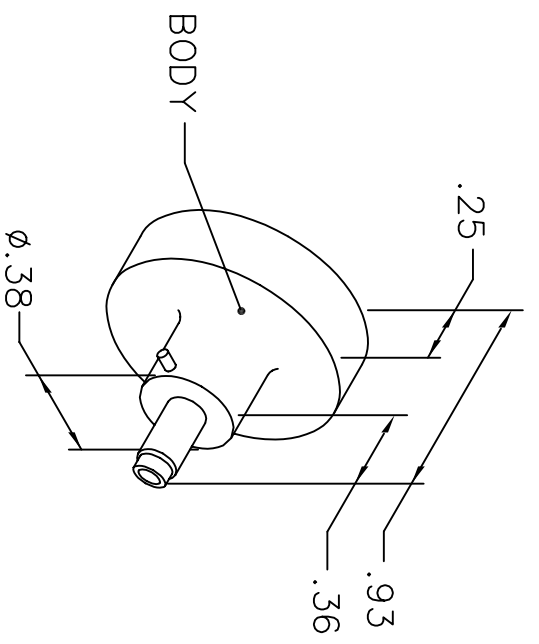


REVISIONS				
REV. SYM.	E.C.O. NUMBER	DESCRIPTION	BY DATE	APP'D DATE
1		ORIGINAL RELEASE	JMC 7-14-03	JWJ 7-14-03

**UNCONTROLLED DOCUMENT
WILL NOT BE UPDATED**



DEUTSH				
WIRE	20	22	24	26
SEL	7	6	5	4
	1841-1-5620			
	1841-1-2620			

NOTE: FOR USE WITH DANIELS CRIMP TOOLS
ACCOMMODATING "K" SERIES POSITIONERS

LOCATOR	
HOLE DIMENSIONS	ADDITIONAL FEATURES
$\phi .078$ $\nabla .25$	<input type="checkbox"/> $\phi .109$ $\nabla .090$

RESTRICTED & CONFIDENTIAL

CONFIDENTIAL PROPERTY OF DANIELS MANUFACTURING CORP. NOT TO BE DISCLOSED TO OTHERS, REPRODUCED OR USED FOR ANY OTHER PURPOSE, EXCEPT AS AUTHORIZED IN WRITING BY DANIELS MANUFACTURING. MUST BE RETURNED TO DANIELS MANUFACTURING CORP. ON COMPLETION OF ORDER OR OTHER PURPOSE FOR WHICH LENT.

DO NOT SCALE DRAWING

DRN. JMC	DATE 7-14-03	TITLE	
CHK'D. JWJ	DATE 7-14-03	POSITIONER ENVELOPE DRAWING	
APP'D. _____	DATE _____	WHERE USED: AFMB	CAD P/N K257-ENV
NOTE: THIS DRAWING IS AN OUTLINE DRAWING OF THE RESPECTIVE DMC PART NUMBER INDICATED. ACTUAL DMC PART NUMBER IS DRAWING NUMBER WITHOUT THE "-ENV" SUFFIX.		POSTING	DWG. NO. K257-ENV
		SHEET 1 OF 1	REV. 1

DMC DANIELS MANUFACTURING CORP.
ORLANDO, FLORIDA
CAGE 11851