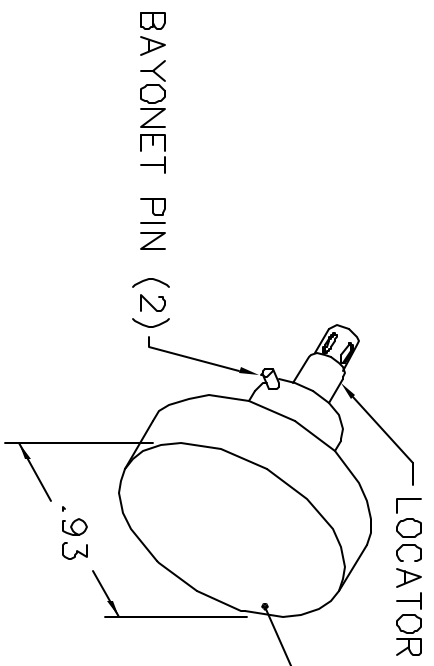
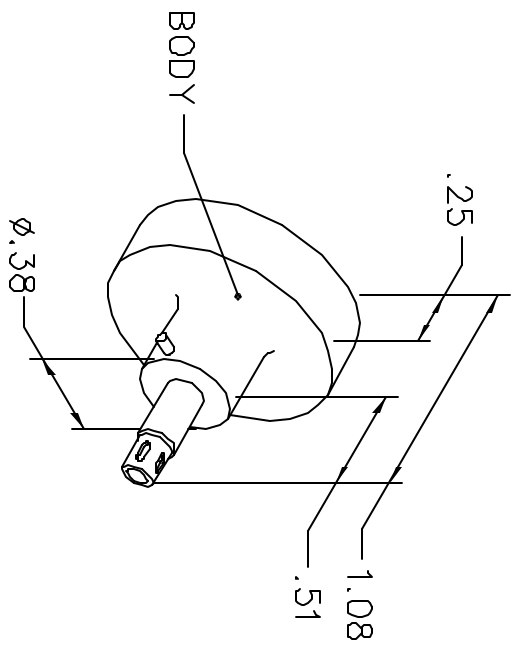


REVISIONS				
REV. SYM.	E.C.D. NUMBER	DESCRIPTION	BY DATE	APP'D DATE
1		ORIGINAL RELEASE	JML 5/19/05	RRR 5/19/05

**UNCONTROLLED DOCUMENT
WILL NOT BE UPDATED**



NAVORD 2826727				
WIRE	24 SOLID	26	28	30
SEL.	6	5	4	4
WINCHESTER B8617				

NOTE: FOR USE WITH DANIELS CRIMP TOOLS
ACCOMMODATING "K" SERIES POSITIONERS

LOCATOR	
HOLE DIMENSIONS	ADDITIONAL FEATURES
.022 SLOT ▽.20	Ø.082 ▽.385

RESTRICTED & CONFIDENTIAL

CONFIDENTIAL PROPERTY OF DANIELS MANUFACTURING CORP. NOT TO BE DISCLOSED TO OTHERS, REPRODUCED OR USED FOR ANY OTHER PURPOSE, EXCEPT AS AUTHORIZED IN WRITING BY DANIELS MANUFACTURING. MUST BE RETURNED TO DANIELS MANUFACTURING CORP. ON COMPLETION OF ORDER OR OTHER PURPOSE FOR WHICH LENT.

DO NOT SCALE DRAWING

DRN. J. JOYCE	DATE 5/19/05	DMC DANIELS MANUFACTURING CORP. ORLANDO, FLORIDA CAGE 11851		
CHKD. RRR	DATE 5/19/05			
APP'D.	DATE	TITLE ENVELOPE DRAWING POSITIONER		
APP'D.	DATE			
NOTE: THIS DRAWING IS AN OUTLINE DRAWING OF THE RESPECTIVE DMC PART NUMBER INDICATED. ACTUAL DMC PART NUMBER IS DRAWING NUMBER WITHOUT THE "-ENV" SUFFIX.		WHERE USED: AFW8	CAD P/N K253S-ENV	SHEET 1 OF 1
DO NOT SCALE DRAWING		POSTING	DWG. NO. K253S-ENV	REV. 1