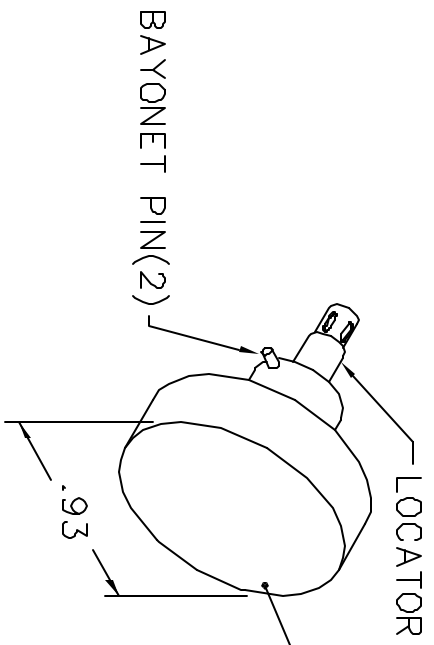
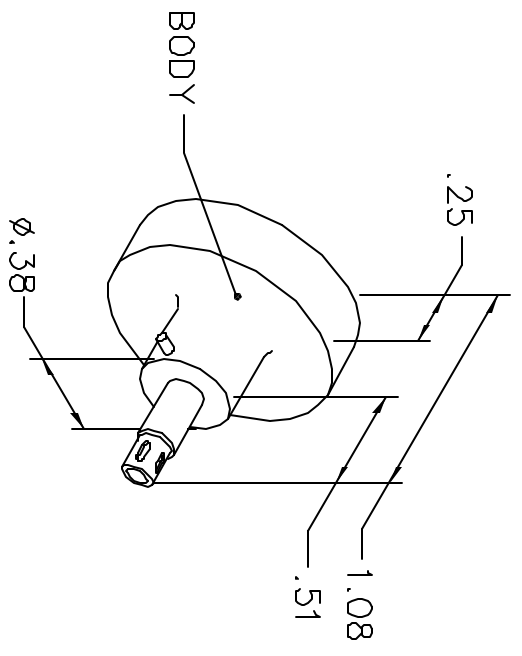


REVISIONS				
REV. SYM.	E.C.D. NUMBER	DESCRIPTION	BY DATE	APP'D DATE
1		ORIGINAL RELEASE	AAM 3-10-04	RRR 3-10-04

**UNCONTROLLED DOCUMENT
WILL NOT BE UPDATED**



	8700.48		
	8700-736		
	8700-739		
	0.38 mm2	4	#22
	0.34 mm2	4	
	0.22 mm2	4	#24
	0.15 mm2	3	#26
	0.09 mm2	3	#28
SOURIAU			

NOTE: FOR USE WITH DANIELS CRIMP TOOLS
ACCOMMODATING "K" SERIES POSITIONERS

LOCATOR	
HOLE DIMENSIONS	ADDITIONAL FEATURES
$\phi .048$ $\nabla .73$ MIN.	$\phi .063$ $\nabla .165$

RESTRICTED & CONFIDENTIAL

CONFIDENTIAL PROPERTY OF DANIELS MANUFACTURING CORP. NOT TO BE DISCLOSED TO OTHERS, REPRODUCED OR USED FOR ANY OTHER PURPOSE, EXCEPT AS AUTHORIZED IN WRITING BY DANIELS MANUFACTURING. MUST BE RETURNED TO DANIELS MANUFACTURING CORP. ON COMPLETION OF ORDER OR OTHER PURPOSE FOR WHICH LENT.

DO NOT SCALE DRAWING

DRN. A. MOO-YOUNG	DATE 3-10-04
CHK'D. RRR	DATE 3-10-04
APP'D.	DATE
APP'D.	DATE

NOTE: THIS DRAWING IS AN OUTLINE DRAWING OF THE RESPECTIVE DWG PART NUMBER INDICATED. ACTUAL DWG PART NUMBER IS DRAWING NUMBER WITHOUT THE "-ENV" SUFFIX.

DMS
DANIELS MANUFACTURING CORP.
ORLANDO, FLORIDA
CAGE 11851

TITLE
ENVELOPE DRAWING
POSITIONER

WHERE USED: AFMB	CAD P/N	SHEET	OF
SIZE A	K248S-ENV	1	1
SCALE NTS			
POSTING	DWG NO. K248S-ENV	REV.	1