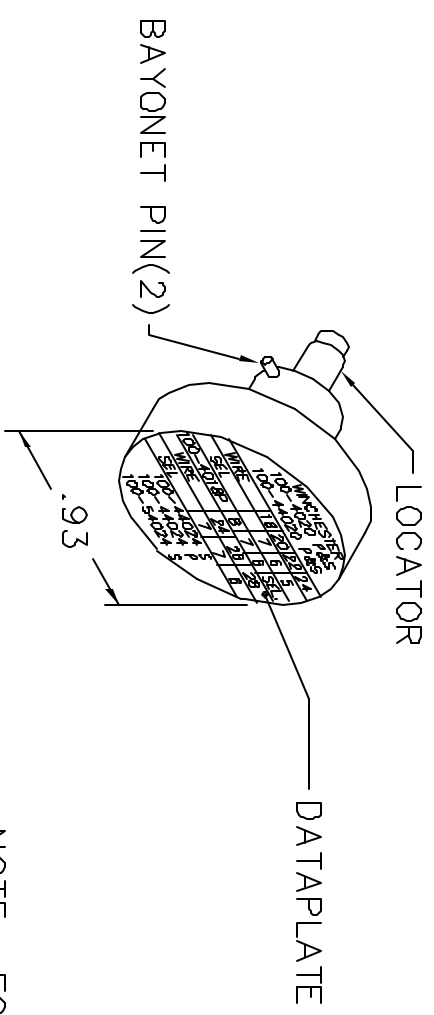
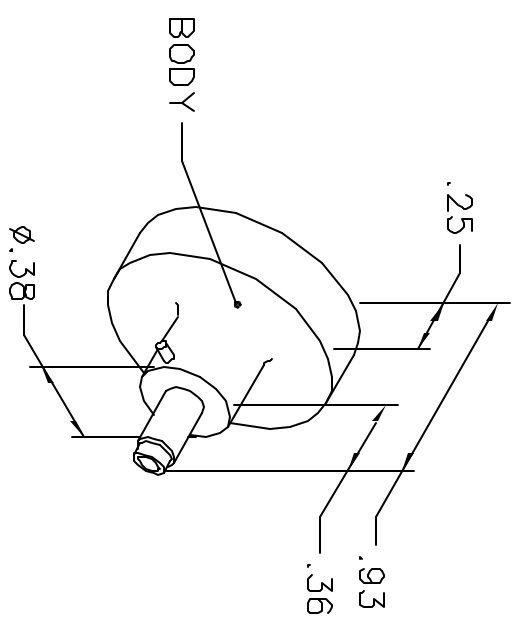


REVISIONS				
REV. SYM.	E.C.O. NUMBER	DESCRIPTION	BY DATE	APP'D DATE
1		ORIGINAL RELEASE	KMS 5/4/87	DLC 5/5/87

**UNCONTROLLED DOCUMENT
WILL NOT BE UPDATED**



WINCHESTER				
100-4020 P & S				
100-44020 P & S				
WIRE	18	20	22	24
SEL		7	6	5
100-4018P	8	7	6	SEL
WIRE	24	26	28	
SEL	7	7	6	
	100-44024	S		
	100-44024	P		
	100-54024	S		


NOTE: FOR USE WITH DANIELS CRIMP TOOLS
ACCOMMODATING "K" SERIES POSITIONERS

LOCATOR	LOCATOR
HOLE DIMENSIONS	ADDITIONAL FEATURES
Ø.038 ▽.387	L □ Ø.076 ▽.371

RESTRICTED & CONFIDENTIAL

CONFIDENTIAL PROPERTY OF DANIELS MANUFACTURING CORP. NOT TO BE DISCLOSED TO OTHERS, REPRODUCED OR USED FOR ANY OTHER PURPOSE, EXCEPT AS AUTHORIZED IN WRITING BY DANIELS MANUFACTURING. MUST BE RETURNED TO DANIELS MANUFACTURING CORP. ON COMPLETION OF ORDER OR OTHER PURPOSE FOR WHICH LENT.

DO NOT SCALE DRAWING

DRN.	KMS	DATE	5/4/87
CHK'D.	DHG	DATE	5/5/87
APP'D.		DATE	
APP'D.		DATE	
 DANIELS MANUFACTURING CORP. ORLANDO, FLORIDA CAGE 11851			
TITLE		POSITIONER ENVELOPE DRAWING	
WHERE USED: AFM8			
SIZE	SCALE	CAD P/N	SHEET
A	NTS	K221-ENV	1
POSTING		DWG. NO.	REV.
		K221-ENV	1