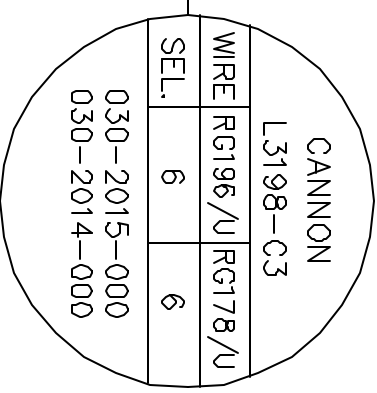
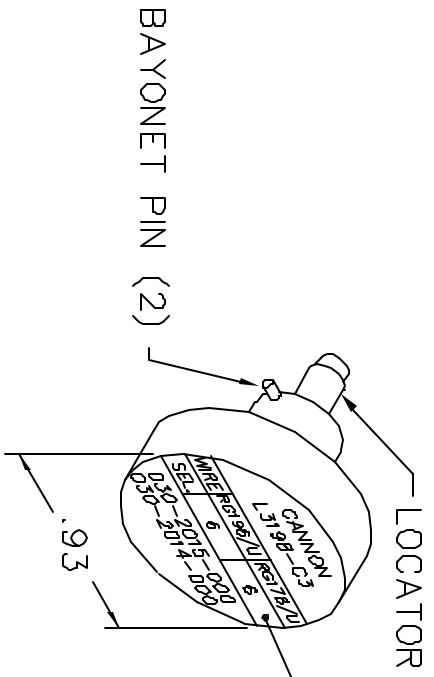
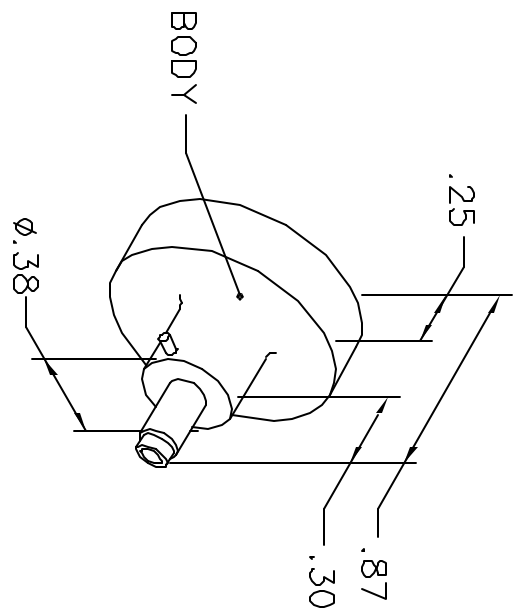


REVISIONS				
REV. SYM.	E.C.D. NUMBER	DESCRIPTION	BY DATE	APP'D DATE
1		ORIGINAL RELEASE	LGV 6/18/91	PD 6/91

**UNCONTROLLED DOCUMENT  
WILL NOT BE UPDATED**




NOTE: FOR USE WITH DANIELS CRIMP TOOL, AFM8.

LOCATOR	
HOLE DIMENSIONS	ADDITIONAL FEATURES
Ø.038 ±.440	✓.030 X 45°

**RESTRICTED & CONFIDENTIAL**

CONFIDENTIAL PROPERTY OF DANIELS MANUFACTURING CORP. NOT TO BE DISCLOSED TO OTHERS, REPRODUCED OR USED FOR ANY OTHER PURPOSE, EXCEPT AS AUTHORIZED IN WRITING BY DANIELS MANUFACTURING. MUST BE RETURNED TO DANIELS MANUFACTURING CORP. ON COMPLETION OF ORDER OR OTHER PURPOSE FOR WHICH LENT.

DO NOT SCALE DRAWING

DRN. LV	DATE 6/18/91	 DANIELS MANUFACTURING CORP. ORLANDO, FLORIDA CAGE 11851	TITLE ENVELOPE DRAWING POSITIONER	WHERE USED: AFM8	CAD P/N K202-ENV	SHEET 1 OF 1	
CHKD. PD	DATE 6/18/91			SIZE SCALE			DWG. NO. K202-ENV
APP'D. AAM	DATE 6/18/91			POSTING			
NOTE: THIS DRAWING IS AN OUTLINE DRAWING OF THE RESPECTIVE DMC PART NUMBER INDICATED. ACTUAL DMC PART NUMBER IS DRAWING NUMBER WITHOUT THE "-ENV" SUFFIX.				REV. 1			