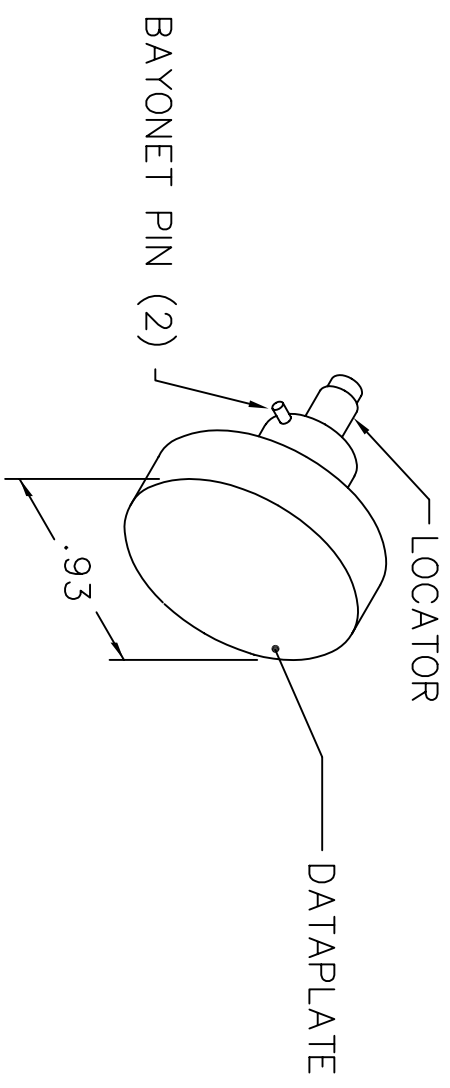
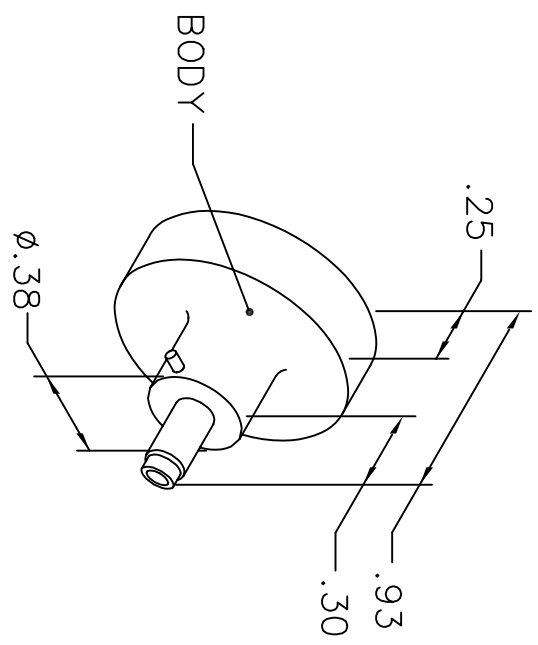


REVISIONS				
REV. SYM.	E.C.O. NUMBER	DESCRIPTION	BY DATE	APP'D DATE
1		ORIGINAL RELEASE	MGS 11-6-85	AAM 11-6-85

**UNCONTROLLED DOCUMENT
WILL NOT BE UPDATED**



U.S. COMPONENTS					
2660-22					
WIRE	22	24	26	28	28
SEL.	5	4	3	2	
WIRE	24	26	28	30	
SEL.	5	4	3	3	
2660-24					

LOCATOR	
HOLE DIMENSIONS	ADDITIONAL FEATURES
∅.067 ±.294	√.030 X 45°

RESTRICTED & CONFIDENTIAL

CONFIDENTIAL PROPERTY OF DANIELS MANUFACTURING CORP. NOT TO BE DISCLOSED TO OTHERS, REPRODUCED OR USED FOR ANY OTHER PURPOSE, EXCEPT AS AUTHORIZED IN WRITING BY DANIELS MANUFACTURING. MUST BE RETURNED TO DANIELS MANUFACTURING CORP. ON COMPLETION OF ORDER OR OTHER PURPOSE FOR WHICH LENT.

DO NOT SCALE DRAWING

DRN.	MGS	DATE
CHK'D.	TR	DATE
APP'D.	AAM	DATE
APP'D.		DATE

NOTE: THIS DRAWING IS AN OUTLINE DRAWING OF THE RESPECTIVE DMC PART NUMBER INDICATED. ACTUAL DMC PART NUMBER IS DRAWING NUMBER WITHOUT THE "-ENV" SUFFIX.

DMC		DANIELS MANUFACTURING CORP. ORLANDO, FLORIDA CAGE 11851	
TITLE		POSITIONER ENVELOPE DRAWING	
WHERE USED: AFM8		CAD P/N	SHEET
SIZE	SCALE	K200-ENV	1 OF 1
A	NTS		
POSTING	DWG. NO.	K200-ENV	REV. 1