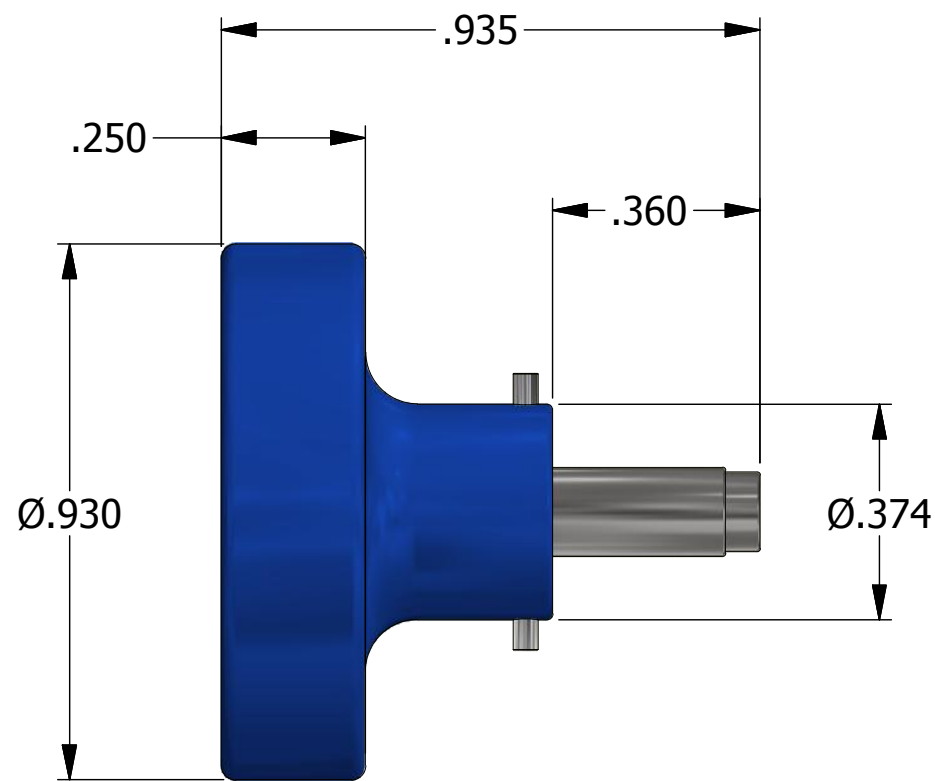
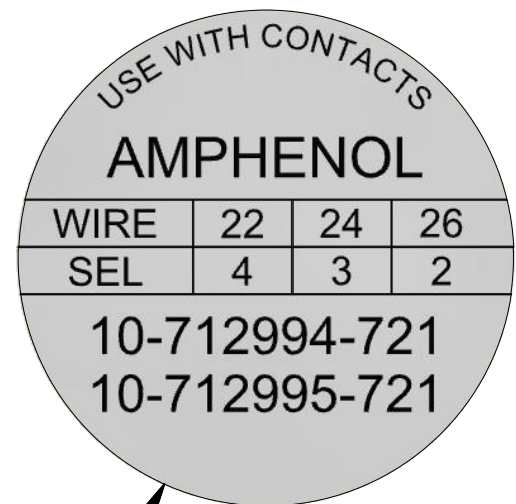
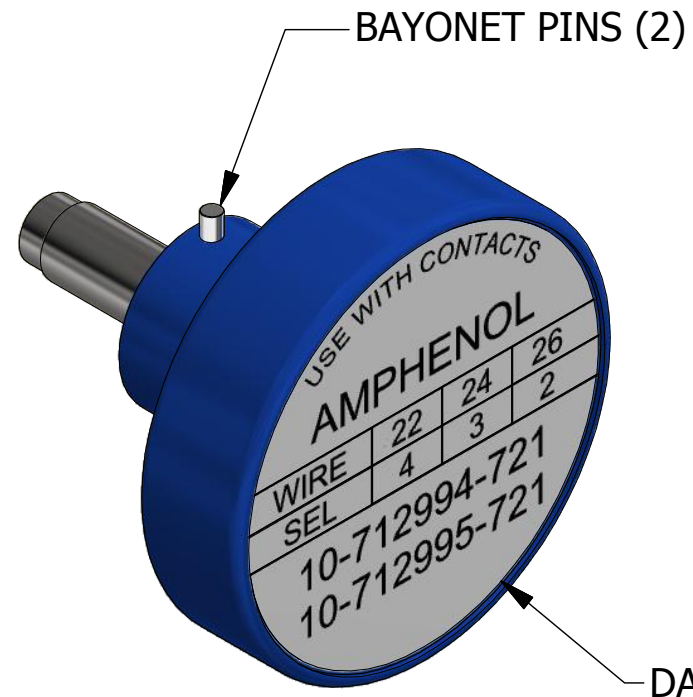


| REVISIONS |         |                  |       |           |          |      |
|-----------|---------|------------------|-------|-----------|----------|------|
| REV       | ECO NO. | DESCRIPTION      | BY    | DATE      | APP'D BY | DATE |
| 1         | 25275   | ORIGINAL RELEASE | TonyD | 6/13/2018 |          |      |



**UNCONTROLLED DOCUMENT  
WILL NOT BE UPDATED**  
DIMENSIONS IN INCHES - UNLESS OTHERWISE SPECIFIED



| LOCATOR         |                     |
|-----------------|---------------------|
| HOLE DIMENSIONS | ADDITIONAL FEATURES |
| Ø.035<br>▽.63   | └┘Ø.106<br>▽.442    |

| MATERIAL   | ITEM                              | PART NO.       | QTY.  | DESCRIPTION / REMARKS   |        |      |
|--|-----------------------------------|----------------|-------|---|--------|------|
| N/A  | DRN. Tony Dilworth<br>CHK'D. DATE | DATE 6/24/2016 |       | <b>DMC</b> DANIELS MANUFACTURING CORP.<br>ORLANDO, FLORIDA<br>CAGE 11851  |        |      |
| RESTRICTED & CONFIDENTIAL<br>CONFIDENTIAL PROPERTY OF DANIELS MANUFACTURING CORP. NOT TO BE DISCLOSED TO OTHERS. REPRODUCTION OR USED FOR ANY OTHER PURPOSE EXCEPT AS AUTHORIZED IN WRITING BY DANIELS MANUFACTURING. MUST BE RETURNED TO DANIELS MANUFACTURING CORP. ON COMPLETION OF ORDER OR PURPOSES FOR WHICH LENT. |                                   | HEAT TREAT     | N/A   | <b>NOTE:</b><br>THIS DRAWING IS AN OUTLINE DRAWING OF THE RESPECTIVE DMC PART NUMBER INDICATED. ACTUAL DMC PART NUMBER IS CAD PART NUMBER WITHOUT THE "-ENV" SUFFIX<br><br><b>POSITIONER ENVELOPE DRAWING</b><br>WHERE USED: AFM8 |        |      |
| CREATED FROM AN INVENTOR MODEL. CHANGES MUST BE REFLECTED IN THE 3D PART   |                                   | FINISH         | N/A   |   |        |      |
| DO NOT SCALE DRAWING   |                                   |                |       |   |        |      |
|  |                                   | SIZE           | SCALE | CAD P/N   | SHEET  | REV. |
|  |                                   | B              | 3 : 1 | K1981-ENV   | 1 OF 1 | 1    |
|  |                                   |                |       | DWG. NO.  | K1981  |      |