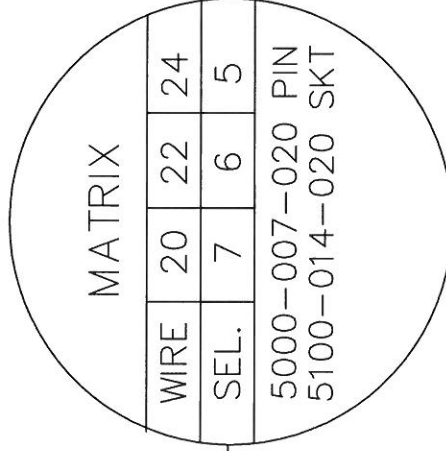
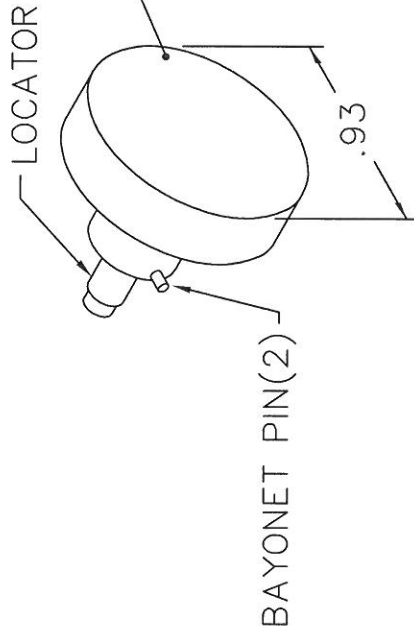
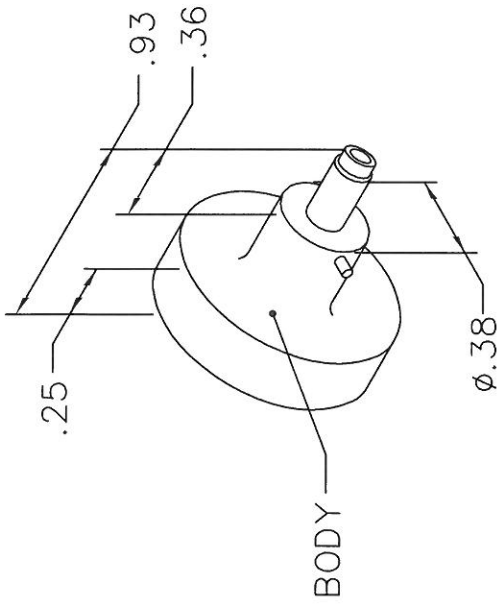


REVISIONS

REV. SYM.	E.C.O. NUMBER	DESCRIPTION	BY DATE	APP'D DATE
1		ORIGINAL RELEASE	TD 7-19-13	

**UNCONTROLLED DOCUMENT
WILL NOT BE UPDATED**
DIMENSIONS IN INCHES - UNLESS OTHERWISE SPECIFIED



NOTE: FOR USE WITH DANIELS CRIMP TOOLS
ACCOMMODATING "K" SERIES POSITIONERS

LOCATOR	ADDITIONAL FEATURES				
<table border="1"> <tr> <td>HOLE DIMENSIONS</td> <td> \perp .073 ∇ THRU </td> </tr> </table>	HOLE DIMENSIONS	\perp .073 ∇ THRU	<table border="1"> <tr> <td> \perp ∇ ∇ </td> <td> \perp ∇ ∇ </td> </tr> </table>	\perp ∇ ∇	\perp ∇ ∇
HOLE DIMENSIONS	\perp .073 ∇ THRU				
\perp ∇ ∇	\perp ∇ ∇				

RESTRICTED & CONFIDENTIAL
CONFIDENTIAL PROPERTY OF DANIELS MANUFACTURING CORP. NOT TO BE DISCLOSED TO OTHERS, REPRODUCED OR USED FOR ANY OTHER PURPOSE, EXCEPT AS AUTHORIZED IN WRITING BY DANIELS MANUFACTURING. MUST BE RETURNED TO DANIELS MANUFACTURING CORP. ON COMPLETION OF ORDER OR OTHER PURPOSE FOR WHICH LENT.

DO NOT SCALE DRAWING

DRN. <i>Tony DiLavorio</i>	DATE 7-19-13
CHK'D.	DATE
APP'D.	DATE
APP'D.	DATE

NOTE:
THIS DRAWING IS AN OUTLINE DRAWING OF THE RESPECTIVE DMC PART NUMBER INDICATED. ACTUAL DMC PART NUMBER IS DRAWING NUMBER WITHOUT THE "-ENV" SUFFIX.

DANIELS MANUFACTURING CORP. ORLANDO, FLORIDA CAGE 11851	
TITLE ENVELOPE DRAWING POSITIONER	
WHERE USED: AFM8	
SIZE A	SCALE NONE
CAD P/N K197-ENV	SHEET 1 OF 1
POSTING	DWG. NO. K197-ENV
	REV. 1