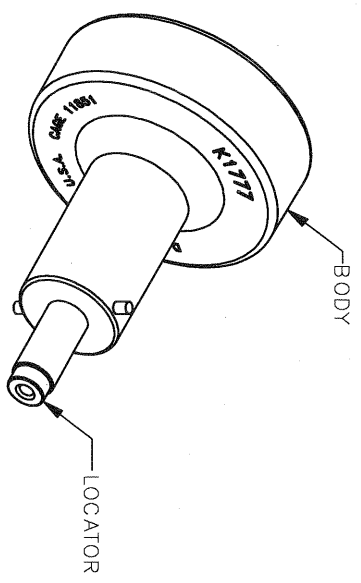
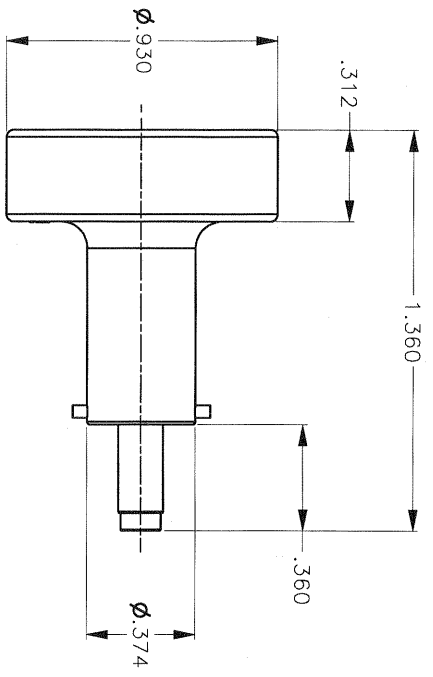
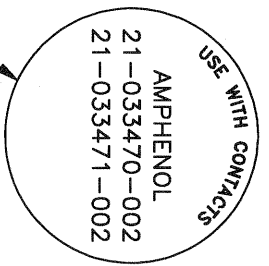
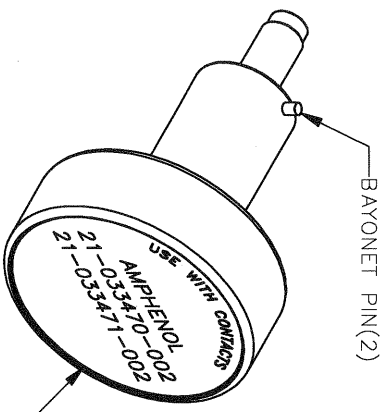


REVISIONS			
REV	ECN	BY	APP'D
SYM	NUMBER	DATE	DATE
1	21679	04-01-10	

UNCONTROLLED DOCUMENT
WILL NOT BE UPDATED



LOCATOR	
HOLE DIMENSIONS	ADDITIONAL FEATURES
∅.037 ▽THRU	└┐∅.052 ▽.103



RESTRICTED & CONFIDENTIAL			
<small>CONFIDENTIAL PROPERTY OF DANIELS MANUFACTURING CORP. NOT TO BE DISCLOSED TO OTHERS, REPRODUCED OR USED FOR ANY OTHER PURPOSE WITHOUT THE WRITTEN PERMISSION OF DANIELS MANUFACTURING CORP. ON COMPLETION OF ORDER OR OTHER PURPOSE FOR WHICH INT.</small>			
MATERIAL	ITEM	PART NO.	DESCRIPTION/REMARKS
HEAT TREAT	DRN. <i>Shaw</i> 03-51-10	DATE	
FINISH	CHD.	DATE	
	APP'D.	DATE	
	APP'D.	DATE	
<small>THIS DRAWING IS AN OUTLINE DRAWING OF THE RESPECTIVE INDICATED PART NUMBER. PART NUMBER IS DRAWING NUMBER WITHOUT THE "-ENV" SUFFIX.</small>			
TITLE		SCALE	WHERE USED: AFMB
POSITIONER		B	CAD P/N
ENVELOPE DRAWING		2.5X	K1777-ENV
		POSTING	DWG No. K1777-ENV
			SHEET 1 OF 1
			REV. 1

NOTE: FOR USE WITH DANIELS CRIMP TOOLS
ACCOMMODATING "K" SERIES POSITIONERS