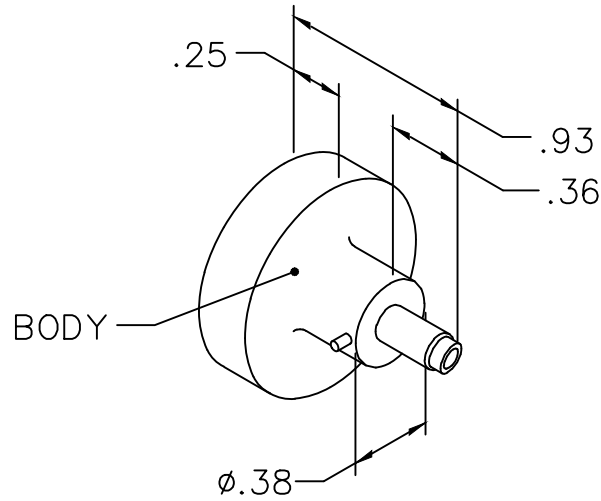
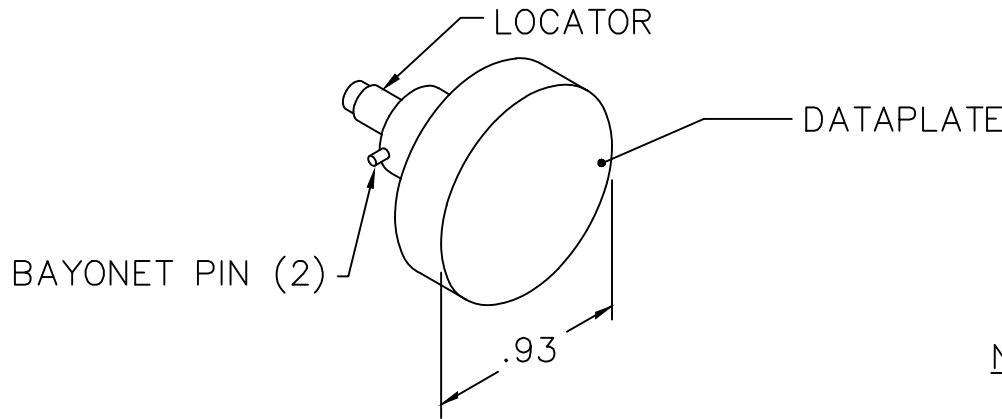
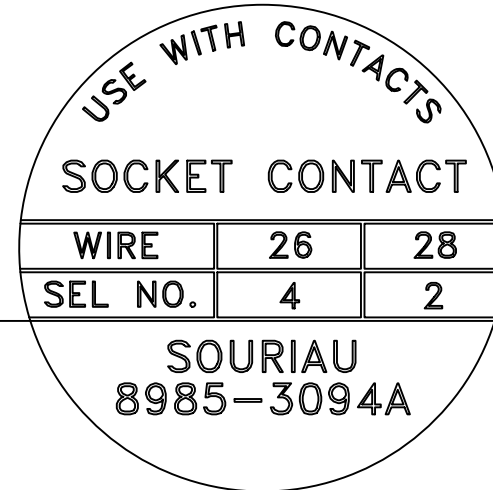


REVISIONS				
REV. SYM.	E.C.O. NUMBER	DESCRIPTION	BY DATE	APP'D DATE
1		ORIGINAL RELEASE	K. KOONS 9.28.12	RRR 9.28.12



**UNCONTROLLED DOCUMENT  
WILL NOT BE UPDATED**

**DIMENSIONS IN INCHES - UNLESS OTHERWISE SPECIFIED**



**NOTES:**

- FOR USE WITH DANIELS CRIMP TOOL AFM8.

MOVEABLE LOCATOR	
HOLE DIMENSIONS	ADDITIONAL FEATURES
ø.045 ∇.354	ø.059 C'BORE ∇.055

**RESTRICTED & CONFIDENTIAL**

CONFIDENTIAL PROPERTY OF DANIELS MANUFACTURING CORP. NOT TO BE DISCLOSED TO OTHERS, REPRODUCED OR USED FOR ANY OTHER PURPOSE, EXCEPT AS AUTHORIZED IN WRITING BY DANIELS MANUFACTURING. MUST BE RETURNED TO DANIELS MANUFACTURING CORP. ON COMPLETION OF ORDER OR OTHER PURPOSE FOR WHICH LENT.

DO NOT SCALE DRAWING

DRN.	K. KOONS	DATE	9.28.12
CHK'D.	RRR	DATE	9.28.12
APP'D.		DATE	
APP'D.		DATE	

**NOTE:**  
THIS DRAWING IS AN OUTLINE DRAWING OF THE RESPECTIVE DMC PART NUMBER INDICATED. ACTUAL DMC PART NUMBER IS DRAWING NUMBER WITHOUT THE "-ENV" SUFFIX.

**DANIELS MANUFACTURING CORP.**  
ORLANDO, FLORIDA  
CAGE 11851

**TITLE**  
POSITIONER  
ENVELOPE DRAWING

WHERE USED: AFM8

SIZE	SCALE	CAD P/N	SHEET	OF
A	NTS	K1677-ENV	1	1
POSTING	DWG NO.	REV.		
	K1677-ENV	1		