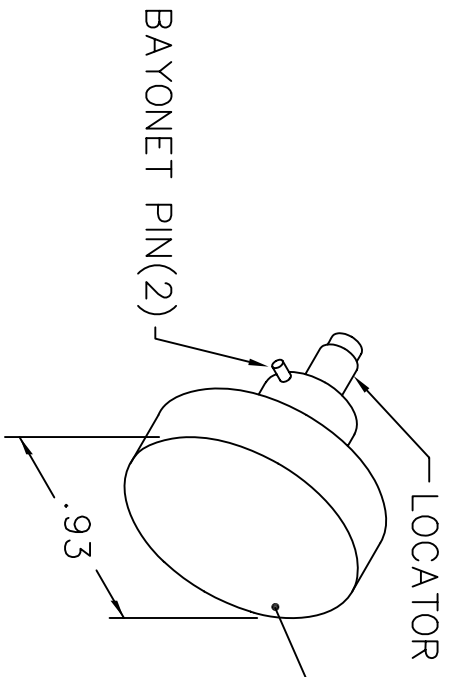
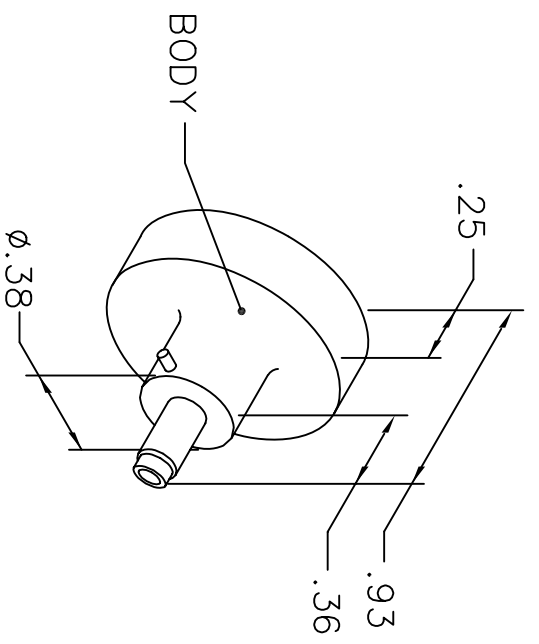


REVISIONS				
REV. SYM.	E.C.O. NUMBER	DESCRIPTION	BY DATE	APP'D DATE
1		ORIGINAL RELEASE	AAM 10-26-05	RRR 10-26-05
2		.395 WAS .728	AAM 11-2-05	RRR 11-2-05

**UNCONTROLLED DOCUMENT  
WILL NOT BE UPDATED**



DEUTSCH				
FOR PIN PART No.				
WIRE	24	26	28	30
SEL.	3	2	2	1
605719-31				

NOTE: FOR USE WITH DANIELS CRIMP TOOLS  
ACCOMMODATING "K" SERIES POSITIONERS

LOCATOR	
HOLE DIMENSIONS	ADDITIONAL FEATURES
$\phi .049$ $\nabla .395$	

**RESTRICTED & CONFIDENTIAL**

CONFIDENTIAL PROPERTY OF DANIELS MANUFACTURING CORP. NOT TO BE DISCLOSED TO OTHERS, REPRODUCED OR USED FOR ANY OTHER PURPOSE, EXCEPT AS AUTHORIZED IN WRITING BY DANIELS MANUFACTURING. MUST BE RETURNED TO DANIELS MANUFACTURING CORP. ON COMPLETION OF ORDER OR OTHER PURPOSE FOR WHICH LENT.

**DO NOT SCALE DRAWING**

DRN. A. MOO-YOUNG	DATE 10-26-05
CHK'D. RRR	DATE 10-26-05
APP'D.	DATE
APP'D.	DATE

NOTE: THIS DRAWING IS AN OUTLINE DRAWING OF THE RESPECTIVE DMC PART NUMBER INDICATED. ACTUAL DMC PART NUMBER IS DRAWING NUMBER WITHOUT THE "-ENV" SUFFIX.

<b>DMC</b>		DANIELS MANUFACTURING CORP. ORLANDO, FLORIDA CAGE 11851	
TITLE ENVELOPE DRAWING POSITIONER			
WHERE USED: AFM8			
SIZE A	SCALE NTS	CAD P/N K1638-ENV	SHEET 1 OF 1
POSTING		DWG NO. K1638-ENV	REV. 2