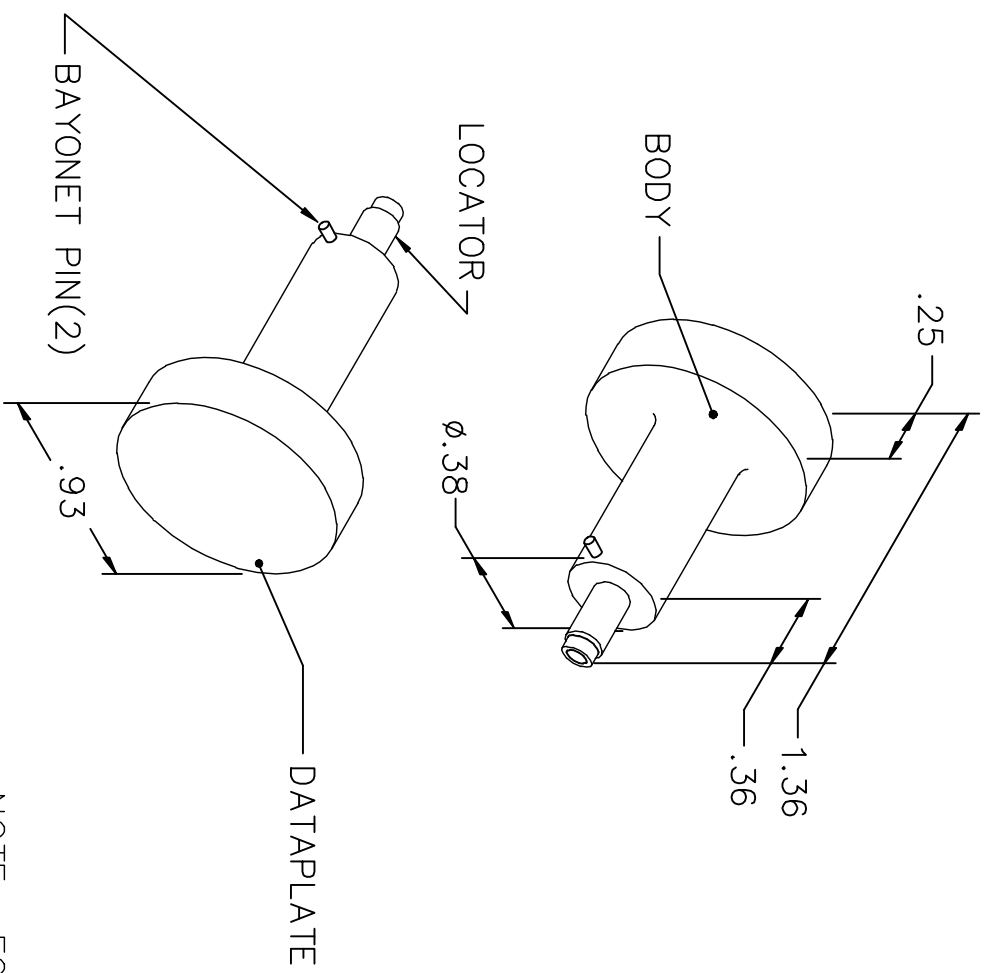


REVISIONS				
REV. SYM.	E.C.O. NUMBER	DESCRIPTION	BY DATE	APP'D DATE
1		ORIGINAL RELEASE	TD 10-15-09	

**UNCONTROLLED DOCUMENT  
WILL NOT BE UPDATED**



HYPERTRONICS		
YPN004-028H		
YPN004-029H		
WIRE	26	28
SEL.	4	3
YSK004-037AH		
YSK004-041AH		
T2030		

NOTE: FOR USE WITH DANIELS CRIMP TOOLS  
ACCOMMODATING "K" SERIES POSITIONERS

LOCATOR	
HOLE DIMENSIONS	ADDITIONAL FEATURES
∅.049 ∇ THRU	∅.059 ∇ .094

**RESTRICTED & CONFIDENTIAL**

CONFIDENTIAL PROPERTY OF DANIELS MANUFACTURING CORP. NOT TO BE DISCLOSED TO OTHERS, REPRODUCED OR USED FOR ANY OTHER PURPOSE, EXCEPT AS AUTHORIZED IN WRITING BY DANIELS MANUFACTURING. MUST BE RETURNED TO DANIELS MANUFACTURING CORP. ON COMPLETION OF ORDER OR OTHER PURPOSE FOR WHICH LENT.

DO NOT SCALE DRAWING

DRN. <i>Jerry Sitworth</i>	DATE 10-15-09
CHK'D.	DATE
APP'D.	DATE
APP'D.	DATE

NOTE:  
THIS DRAWING IS AN OUTLINE DRAWING OF THE RESPECTIVE DMC PART NUMBER INDICATED. ACTUAL DMC PART NUMBER IS DRAWING NUMBER WITHOUT THE "-ENV" SUFFIX.



DANIELS MANUFACTURING CORP.  
ORLANDO, FLORIDA  
CAGE 11851

TITLE  
ENVELOPE DRAWING  
POSITIONER

SIZE A	SCALE NTS	CAD P/N K1555-ENV	SHEET 1 OF 1
POSTING		DWG NO. K1555-ENV	REV. 1