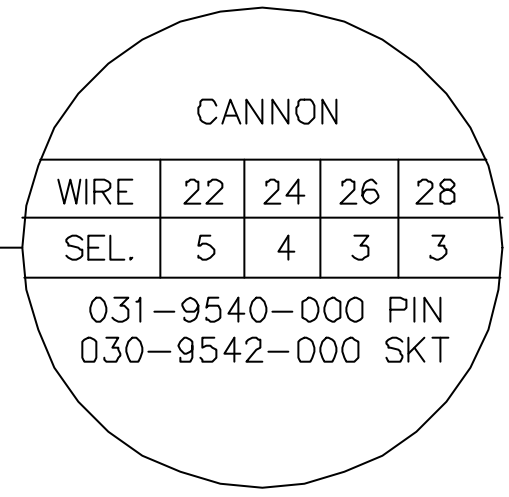
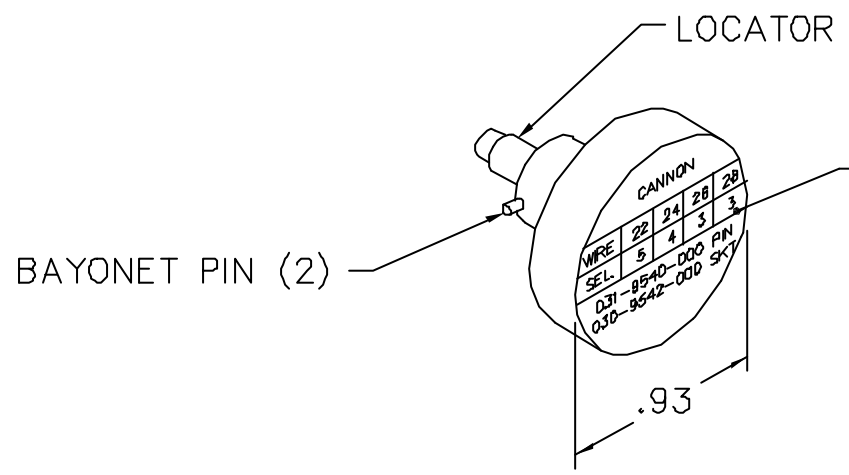
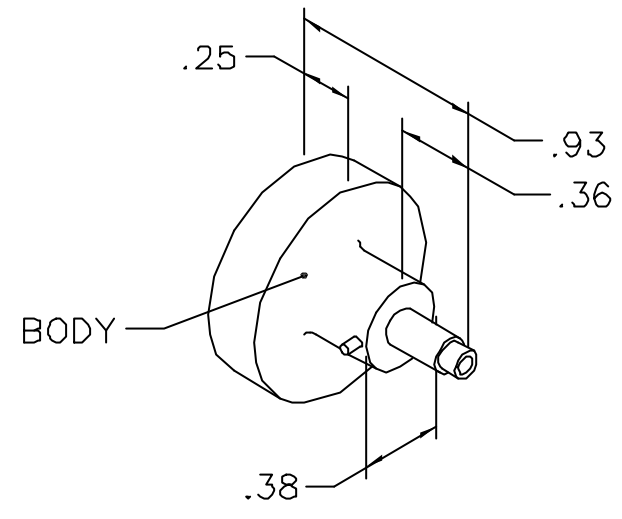


REVISIONS				
REV. SYM.	E.C.O. NUMBER	DESCRIPTION	BY DATE	APP'D DATE
1		ORIGINAL RELEASE	AAM 11-26-96	DE 11-96

**UNCONTROLLED DOCUMENT
WILL NOT BE UPDATED**



NOTE: FOR USE WITH DANIELS CRIMP TOOLS
ACCOMMODATING "K" SERIES POSITIONERS

LOCATOR	
HOLE DIMENSIONS	ADDITIONAL FEATURES
ϕ .041 ∇ .320	\sqcap ϕ .059 ∇ .305

RESTRICTED & CONFIDENTIAL CONFIDENTIAL PROPERTY OF DANIELS MANUFACTURING CORP. NOT TO BE DISCLOSED TO OTHERS, REPRODUCED OR USED FOR ANY OTHER PURPOSE, EXCEPT AS AUTHORIZED IN WRITING BY DANIELS MANUFACTURING. MUST BE RETURNED TO DANIELS MANUFACTURING CORP. ON COMPLETION OF ORDER OR OTHER PURPOSE FOR WHICH SENT.	MATERIAL	ITEM	PART NO.	QTY.	DESCRIPTION/REMARKS
	HEAT TREAT	DRN.	A. MOO-YOUNG	DATE	11-28-96
	FINISH	CHK'D.	DE	DATE	11-96
	DO NOT SCALE DRAWING	APP'D.		DATE	
		NOTE:			
		THIS DRAWING IS AN OUTLINE DRAWING OF THE RESPECTIVE DMC PART NUMBER INDICATED. ACTUAL DMC PART NUMBER IS DRAWING NUMBER WITHOUT THE "-ENV" SUFFIX.		<div style="text-align: center;"> DANIELS MANUFACTURING CORP. ORLANDO, FLORIDA CAGE 11851 </div>	
				TITLE	
				ENVELOPE DRAWING POSITIONER	
				WHERE USED:	
		SIZE	SCALE	CAD P/N	SHEET OF
		B	NTS	K154-1-ENV	1 1
		POSTING		DWG. NO.	REV.
				K154-1-ENV	1