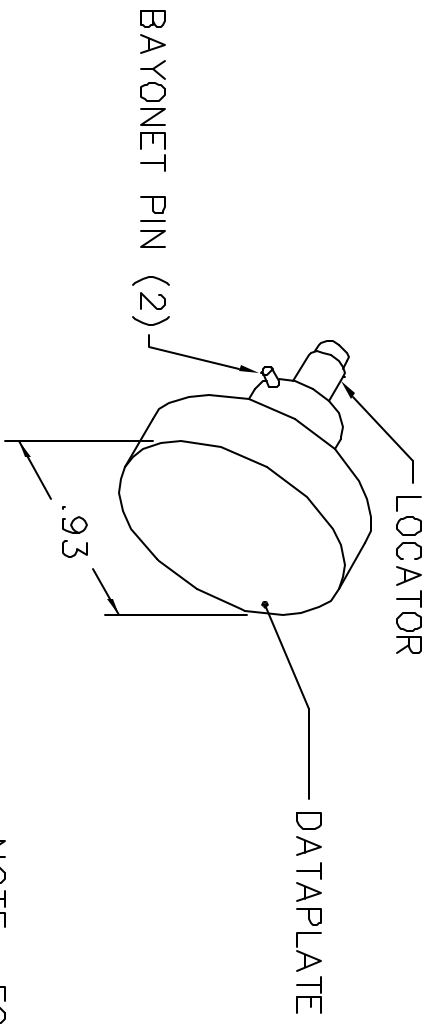
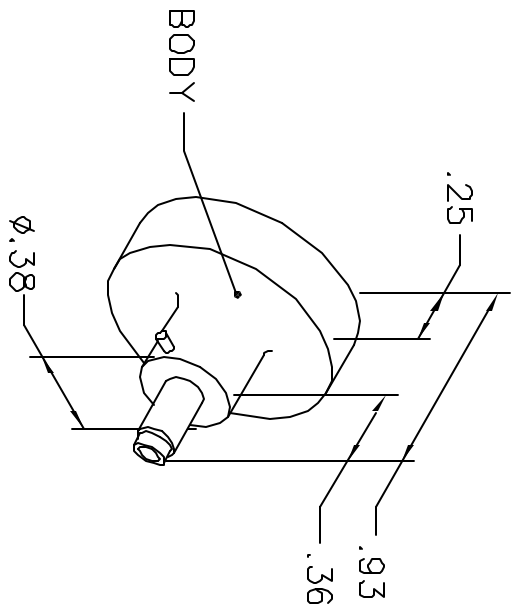


REVISIONS				
REV. SYM.	E.C.O.D. NUMBER	DESCRIPTION	BY DATE	APP'D DATE
1		ORIGINAL RELEASE	JMU 1/31/05	RRR 1/31/05

**UNCONTROLLED DOCUMENT  
WILL NOT BE UPDATED**



AMPHENOL  
21-33830-22  
21-33831-22  
USE WITH  
M22520/2-01

NOTE: FOR USE WITH DANIELS CRIMP TOOLS  
ACCOMMODATING "K" SERIES POSITIONERS

LOCATOR	ADDITIONAL FEATURES
HOLE DIMENSIONS	∅.038
	∇.58 MIN.
	∇.076

**RESTRICTED & CONFIDENTIAL**

CONFIDENTIAL PROPERTY OF DANIELS MANUFACTURING CORP. NOT TO BE DISCLOSED TO OTHERS, REPRODUCED OR USED FOR ANY OTHER PURPOSE, EXCEPT AS AUTHORIZED IN WRITING BY DANIELS MANUFACTURING. MUST BE RETURNED TO DANIELS MANUFACTURING CORP. ON COMPLETION OF ORDER OR OTHER PURPOSE FOR WHICH LENT.

DO NOT SCALE DRAWING

DRN.	J. JOYCE	DATE	1/31/05
CHK'D.	RRR	DATE	1/31/05
APP'D.		DATE	
APP'D.		DATE	

NOTE: THIS DRAWING IS AN OUTLINE DRAWING OF THE RESPECTIVE DMG PART NUMBER INDICATED. ACTUAL DMG PART NUMBER IS DRAWING NUMBER WITHOUT THE "-ENV" SUFFIX.

TITLE	WHERE USED:	GAD P/N	SHEET	OF
ENVELOPE DRAWING POSITIONER	ATM8	K1539-ENV	1	1
		DWG. NO.		REV.
		K1539-ENV		1



DANIELS MANUFACTURING CORP.  
ORLANDO, FLORIDA  
CAGE 11851