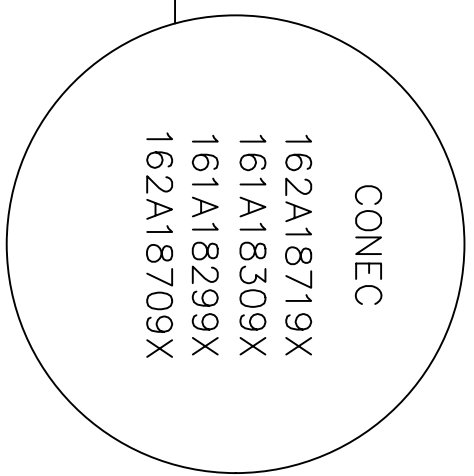
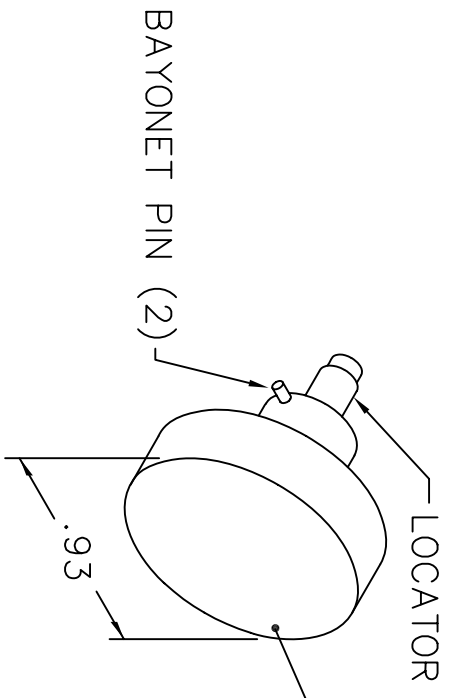
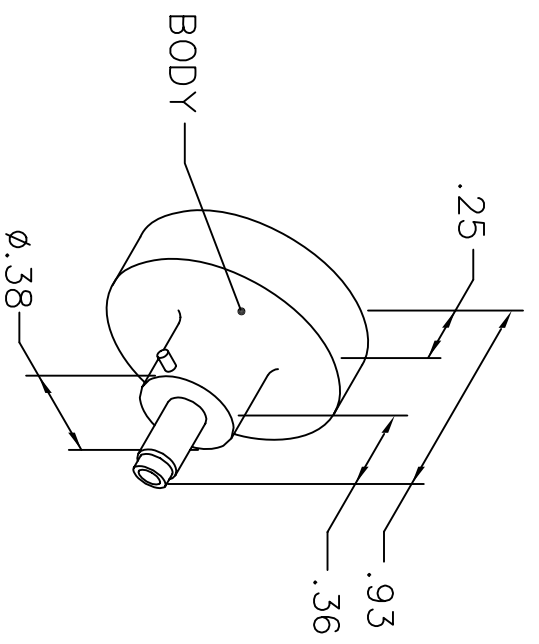


REVISIONS				
REV. SYM.	E.C.O. NUMBER	DESCRIPTION	BY DATE	APP'D DATE
1		ORIGINAL RELEASE	JWJ 9/23/05	RRR 9/23/05

**UNCONTROLLED DOCUMENT
WILL NOT BE UPDATED**



NOTE: FOR USE WITH DANIELS CRIMP TOOLS
ACCOMMODATING "K" SERIES POSITIONERS

LOCATOR	
HOLE DIMENSIONS	ADDITIONAL FEATURES
∅.044	<input type="checkbox"/> ∅.077
∇.459	<input type="checkbox"/> ∇.441
	<input type="checkbox"/> ∅.088
	<input type="checkbox"/> ∇.300

RESTRICTED & CONFIDENTIAL

CONFIDENTIAL PROPERTY OF DANIELS MANUFACTURING CORP. NOT TO BE DISCLOSED TO OTHERS, REPRODUCED OR USED FOR ANY OTHER PURPOSE, EXCEPT AS AUTHORIZED IN WRITING BY DANIELS MANUFACTURING. MUST BE RETURNED TO DANIELS MANUFACTURING CORP. ON COMPLETION OF ORDER OR OTHER PURPOSE FOR WHICH LENT.

DO NOT SCALE DRAWING

DRN.	J. JOYCE	DATE	9/23/05
CHK'D.	RRR	DATE	9/23/05
APP'D.		DATE	
APP'D.		DATE	
<p style="text-align: center;">NOTE:</p> <p style="text-align: center;">THIS DRAWING IS AN OUTLINE DRAWING OF THE RESPECTIVE DMC PART NUMBER INDICATED. ACTUAL DMC PART NUMBER IS DRAWING NUMBER WITHOUT THE "-ENV" SUFFIX.</p>			
TITLE		WHERE USED: AFM8	
<p style="text-align: center;">DMC DANIELS MANUFACTURING CORP. ORLANDO, FLORIDA CAGE 11851</p>		ENVELOPE DRAWING POSITIONER	
		SIZE	CAD P/N
A	NTS	K1525-ENV	
POSTING	DWG. NO.	K1525-ENV	
SHEET		OF	
1		1	
REV.		1	