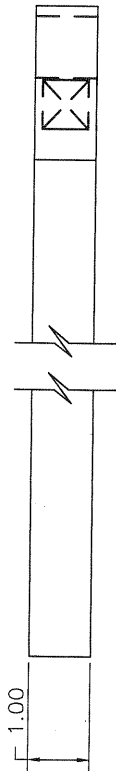
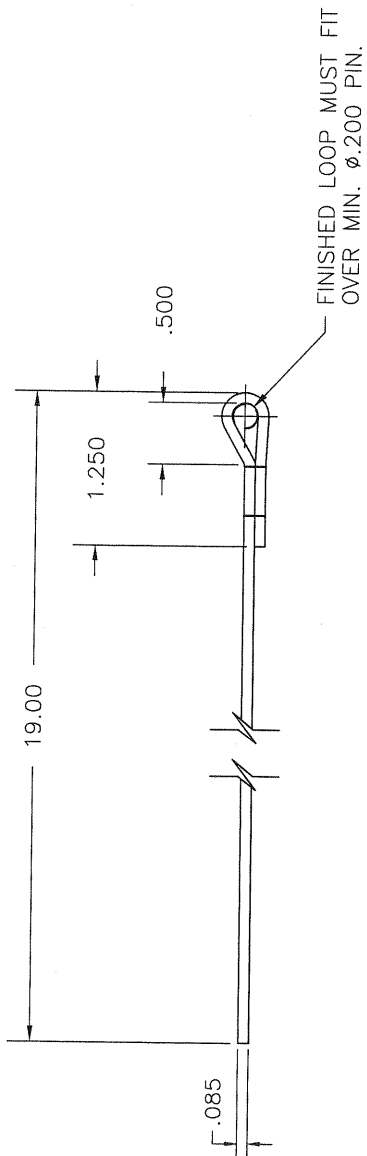



REV. SYM.		E.C.O. NUMBER		DESCRIPTION		BY DATE	
1				ORIGINAL RELEASE		K. KOONS	3.5.09

REVISIONS



**UNCONTROLLED DOCUMENT
WILL NOT BE UPDATED
DIMENSIONS IN INCHES - UNLESS OTHERWISE SPECIFIED**

NOTES:

ITEM	PART NO.	QTY.	DESCRIPTION/REMARKS																
DRN: K. KOONS CHKD:	DATE: 3.5.09		 DANIELS MANUFACTURING CORP. ORLANDO, FLORIDA CAGE 711857																
APP'D:	DATE:																		
MATERIAL			TITLE																
HEAT TREAT			REPLACEMENT STRAP 1" WIDE																
FINISH			WHERE USED:																
DO NOT SCALE DRAWING			<table border="1"> <tr> <td>SIZE</td> <td>SCALE</td> <td>DWG. NO.</td> <td>SHEET OF</td> </tr> <tr> <td>B</td> <td>NTS</td> <td>BT-A-6185-ENV</td> <td>1 1</td> </tr> <tr> <td colspan="2">PART NUMBER IS DRAWING NUMBER WITHOUT THE "-ENV" SUFFIX</td> <td>DWG. NO.</td> <td>REV.</td> </tr> <tr> <td colspan="2"></td> <td>BT-A-6185-ENV</td> <td>1</td> </tr> </table>	SIZE	SCALE	DWG. NO.	SHEET OF	B	NTS	BT-A-6185-ENV	1 1	PART NUMBER IS DRAWING NUMBER WITHOUT THE "-ENV" SUFFIX		DWG. NO.	REV.			BT-A-6185-ENV	1
SIZE	SCALE	DWG. NO.	SHEET OF																
B	NTS	BT-A-6185-ENV	1 1																
PART NUMBER IS DRAWING NUMBER WITHOUT THE "-ENV" SUFFIX		DWG. NO.	REV.																
		BT-A-6185-ENV	1																

NOTE:
THIS DRAWING IS AN OUTLINE DRAWING OF THE RESPECTIVE PART NUMBER IS DRAWING NUMBER WITHOUT THE "-ENV" SUFFIX

RESTRICTED & CONFIDENTIAL
CONFIDENTIAL PROPERTY OF DANIELS MANUFACTURING CORP. NOT TO BE DISCLOSED TO OTHERS, REPRODUCED OR USED FOR ANY OTHER PURPOSE, EXCEPT AS AUTHORIZED IN WRITING. THIS DRAWING IS THE PROPERTY OF DANIELS MANUFACTURING CORP. ON COMPLETION OF ORDER OR OTHER PURPOSE FOR WHICH LENT.