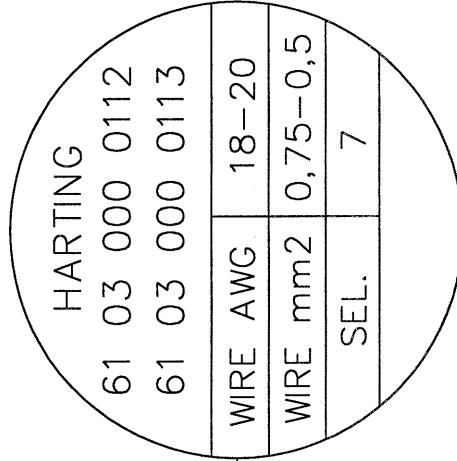
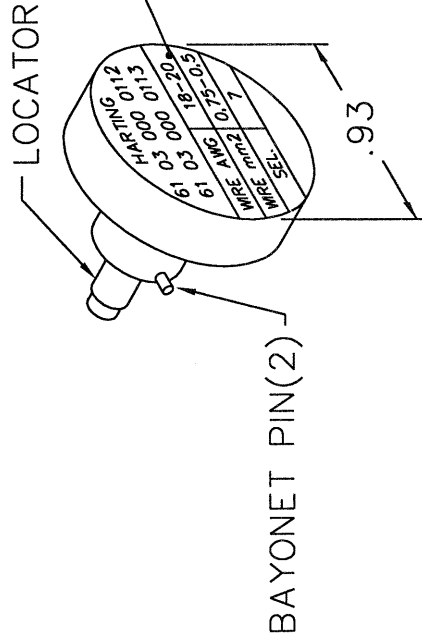
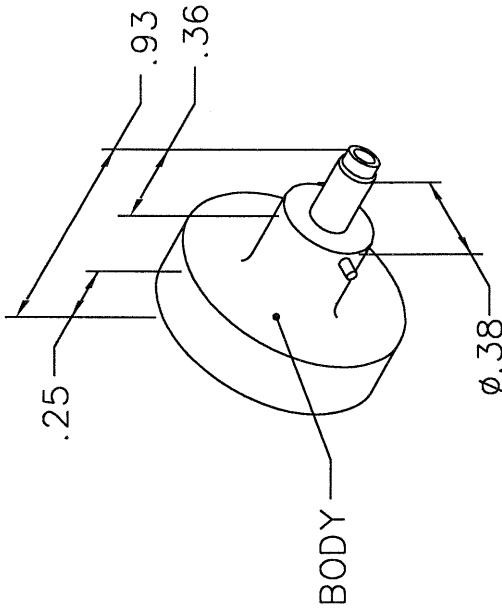


REVISIONS

REV. SYM.	E.C.O. NUMBER	DESCRIPTION	BY DATE	APP'D DATE
1		ORIGINAL RELEASE	AAM 7-9-02	RRR 7-9-02
2		REVISED DATAPLATE	AAM 7-12-02	RRR 7-12-02

**UNCONTROLLED DOCUMENT  
WILL NOT BE UPDATED**



NOTE: FOR USE WITH DANIELS CRIMP TOOLS  
ACCOMMODATING "K" SERIES POSITIONERS

LOCATOR	ADDITIONAL FEATURES
HOLE DIMENSIONS	<div style="display: flex; align-items: center;"> <div style="margin-right: 10px;"> <math>\phi</math>.045  <math>\nabla</math>.440                 </div> <div style="margin-right: 10px;">                     L                 </div> <div style="margin-right: 10px;"> <math>\perp</math> </div> <div style="margin-right: 10px;"> <math>\phi</math>.089                 </div> <div style="margin-right: 10px;"> <math>\nabla</math>.426                 </div> </div>

**RESTRICTED & CONFIDENTIAL**

CONFIDENTIAL PROPERTY OF DANIELS MANUFACTURING CORP. NOT TO BE DISCLOSED TO OTHERS, REPRODUCED OR USED FOR ANY OTHER PURPOSE, EXCEPT AS AUTHORIZED IN WRITING BY DANIELS MANUFACTURING. MUST BE RETURNED TO DANIELS MANUFACTURING CORP. ON COMPLETION OF ORDER OR OTHER PURPOSE FOR WHICH LENT.

**DO NOT SCALE DRAWING**

DRN. A. MOO-YOUNG	DATE 7-9-02
CHK'D. RRR	DATE 7-9-02
APP'D.	DATE
APP'D.	DATE

NOTE:  
THIS DRAWING IS AN OUTLINE DRAWING OF THE RESPECTIVE DMC PART NUMBER INDICATED. ACTUAL DMC PART NUMBER IS DRAWING NUMBER WITHOUT THE "-ENV" SUFFIX.

DANIELS MANUFACTURING CORP. ORLANDO, FLORIDA CAGE 11851	
TITLE ENVELOPE DRAWING POSITIONER	
WHERE USED: AFMB	
SIZE A	SCALE NTS
CAD P/N K1451-ENV	SHEET 1 OF 1
POSTING	DWG. NO. K1451-ENV
REV. 2	